

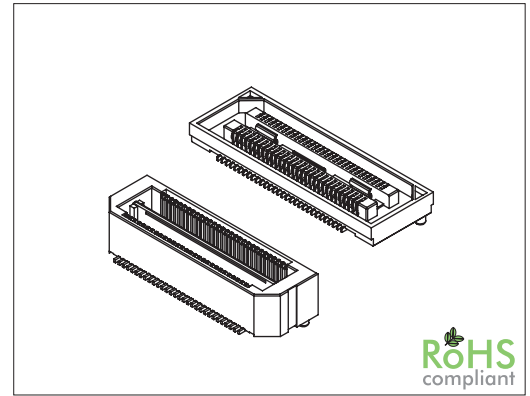
1071 Series

0.50 mm SMT Board to Board High Speed

General specifications

Insulator material	LCP, UL94V-0
Contact material	Copper alloy
Current rating	Contact: 1 A, Ground plane: 7.8 A
Voltage rating	125 VAC
Operating temperature	-55 °C to +125 °C
Durability	100 cycles
Soldering	JEDEC lead free reflow soldering process

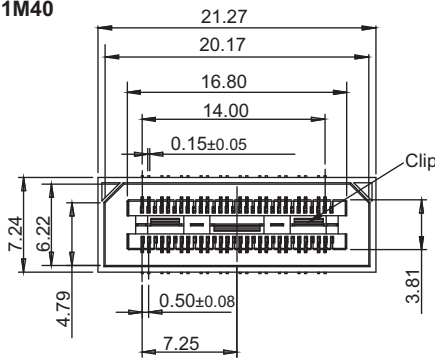
Mating parts series



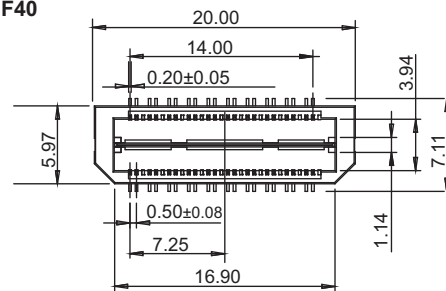
Mechanical dimensions

Unit: mm

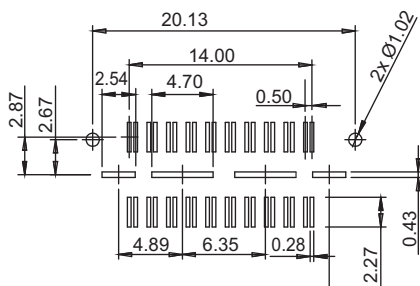
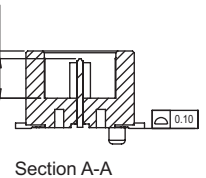
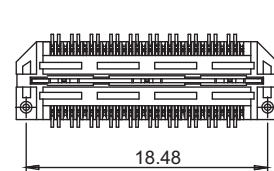
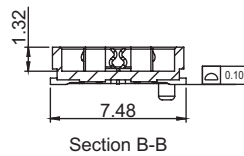
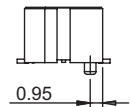
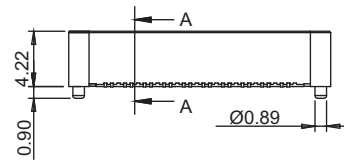
1071M40



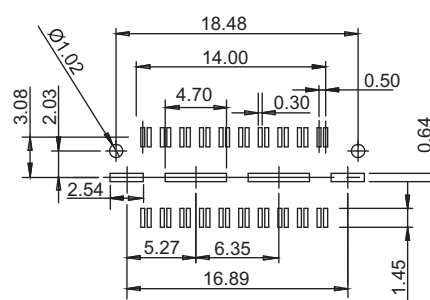
1071F40



Mating height



Recommended P.C.B. layout tolerances: ±0.03



Recommended P.C.B. layout tolerances: ±0.03

Tolerances		
Linear	X	± 0.30
	X	± 0.20
	XX	± 0.12

Part numbering guide

1070 F

40

D

R

Series
F = Female
M = Male

No. of contacts
40

Contact plating
D = 6 μm gold

Packing
R = Reel

* standard

