

2508 Series

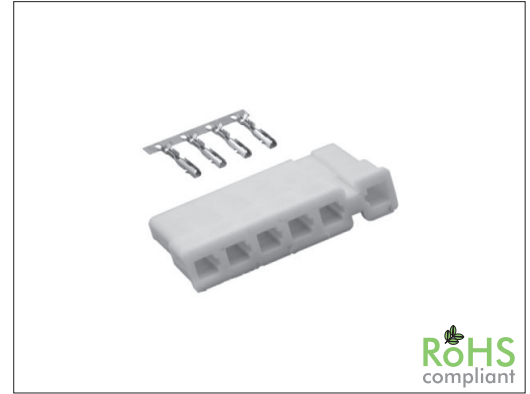
5.00 / 7.50 mm Housing and Terminal

General specifications

Insulator material	Nylon 66, UL94V-0, color: white
Contact material	Brass, plating: tin
Current rating	5 A
Voltage rating	250 V AC/DC
Contact resistance	10 mΩ max.
Insulator resistance	1000 MΩ min.
Dielectrical withstanding	1500 VAC for 1 min
Operating temperature	-25 °C to +85 °C
Wire ranges	AWG 18 to 24

Mating parts series

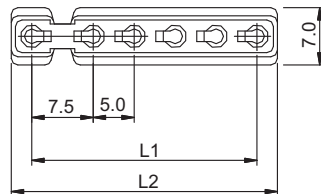
2508-S



Mechanical dimensions

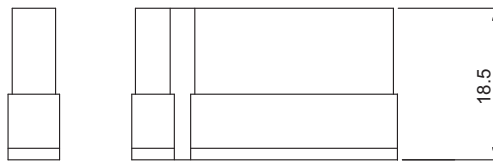
Unit: mm

2508P

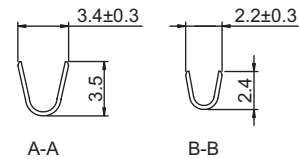
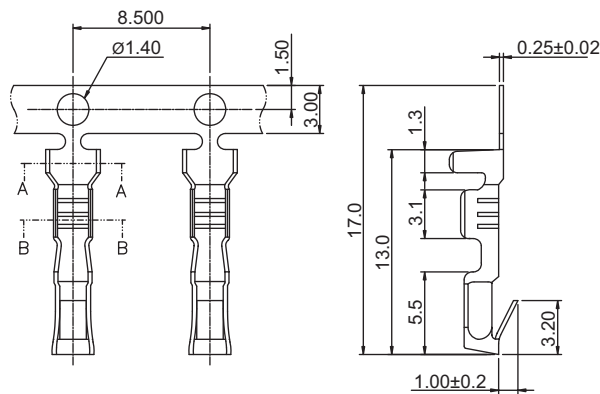


$$L1 = (\text{No. of contacts} - 1) \times 5.00 + 2.50$$

$$L2 = \text{No. of contacts} \times 5.00 + 2.50$$



2508T



Tolerances		
Linear	.X	± 0.20
	.XX	± 0.10

Part numbering guide

2508 P

02

Series
P = Housing
T = Terminal

No. of contacts
02 to 06
leave blank for terminal

* standard

