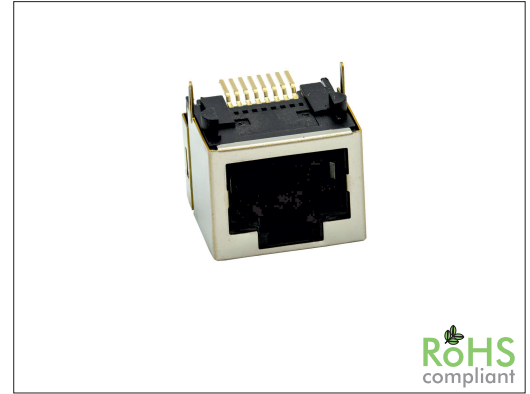


# 64211 Series SMT RJ45 8P Side Entry Shielded

## General specifications

Insulator material	PA9T w/ glass fiber, UL94V-0, color: black
Contact material	Phosphor bronze
Current rating	1 A
Voltage rating	125 VAC
Contact resistance	45 mΩ max.
Insulator resistance	200 MΩ min.
Dielectrical withstanding	1000 VAC for 1 min
Operating temperature	-40 °C to +85 °C
Soldering	JEDEC lead free reflow soldering process
Durability	750 cycles

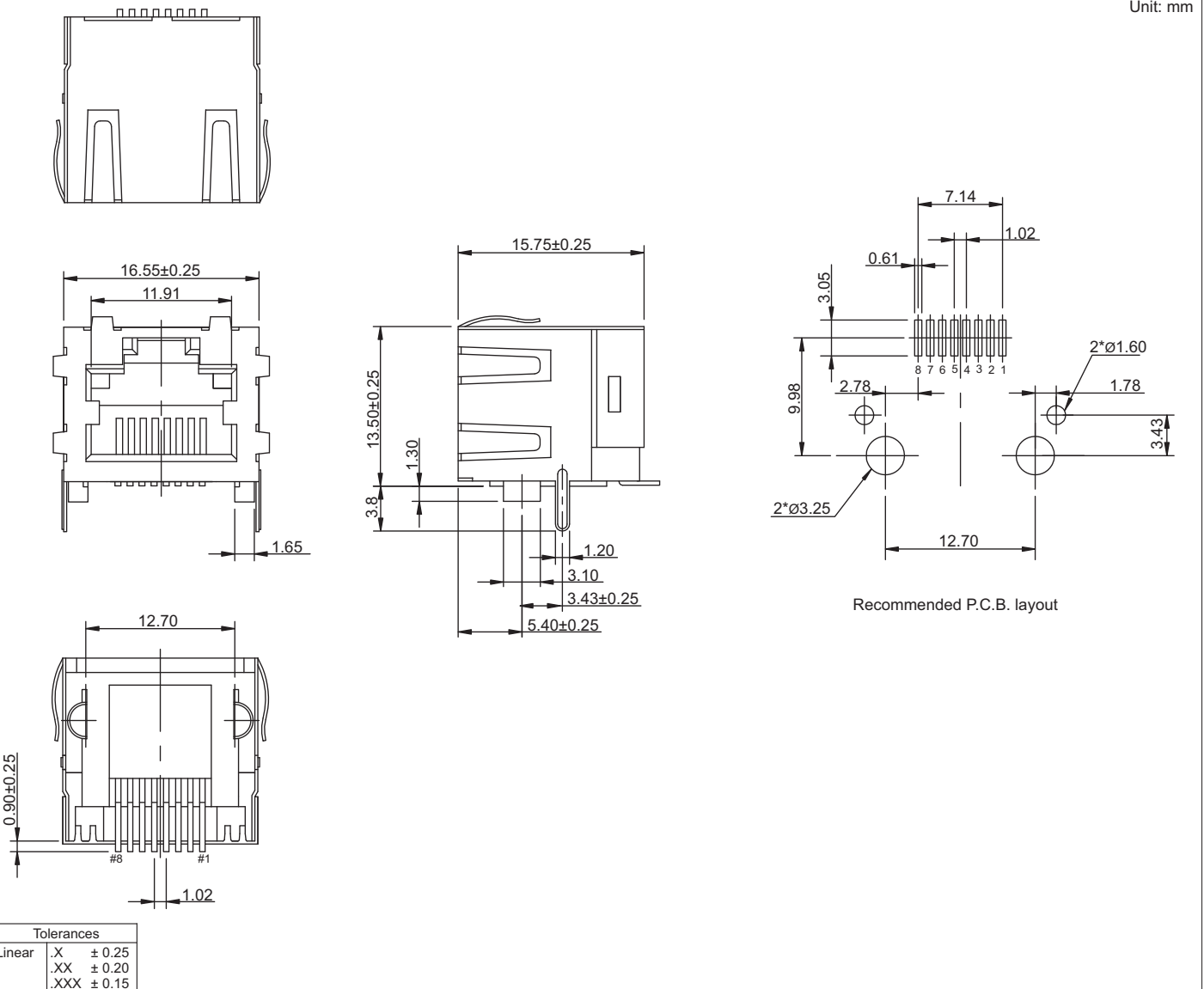
## Mating parts series



RoHS  
compliant

## Mechanical dimensions

Unit: mm



## Part numbering guide

64211 — C — 0

Series

Contact plating

C = 3 μ" gold      K = 50 μ" gold

D = 6 μ" gold

F = 15 μ" gold

J = 30 μ" gold

Ground springs

0 = w/o springs

1 = w/ top springs

2 = w/ side springs

3 = w/ top and side springs

\* standard

