

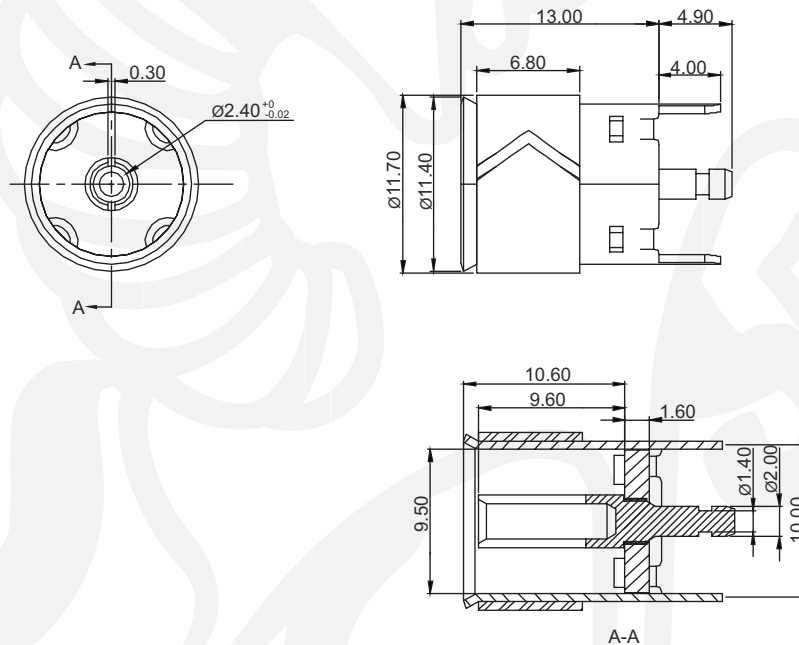
# Series 49410 IEC Female Straight

## Material

Insulator:	FR-4
Shell:	SPCC, nickel plated
Contacts:	Brass, nickel plated
Clip:	Steel, nickel plated

## Electrical

Impedance:	75Ω
Contact resistance:	50mΩ max.
Dielectrical withstanding:	500 VAC
Contact resistance:	50mΩ max.
Insulator resistance:	500 MΩ min.



Tolerances	
Linear	<6 ± 0.2
	6-30 ± 0.4
	>30 ± 0.6

**RoHS**  
compliant

All dim. in mm

**49410**

Series  
49410

Packing  
Tray, Bulk