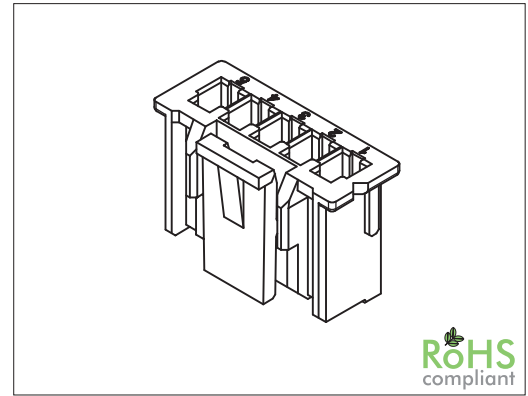


2253 Series

2.50 mm Housing and Terminal

General specifications

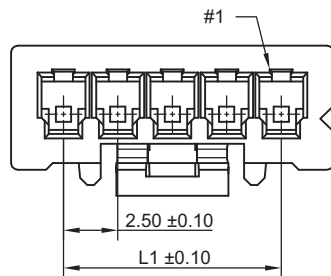
Insulator material	Nylon 66, UL94V-0, color: natural
Contact material	Phosphor bronze, plating tin
Current rating	3 A
Voltage rating	250 V AC/DC
Contact resistance	10 mΩ max.
Insulator resistance	1000 MΩ min.
Dielectrical withstanding	1000 VAC for 1 min
Operating temperature	-25 °C to +85 °C
Mating parts series	



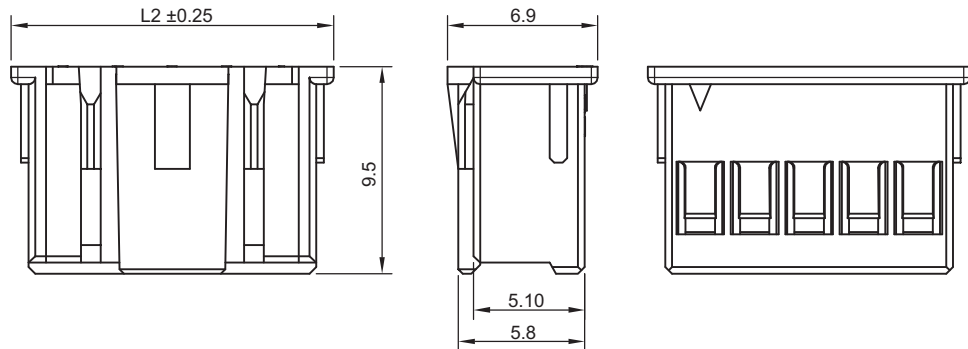
Mechanical dimensions

Unit: mm

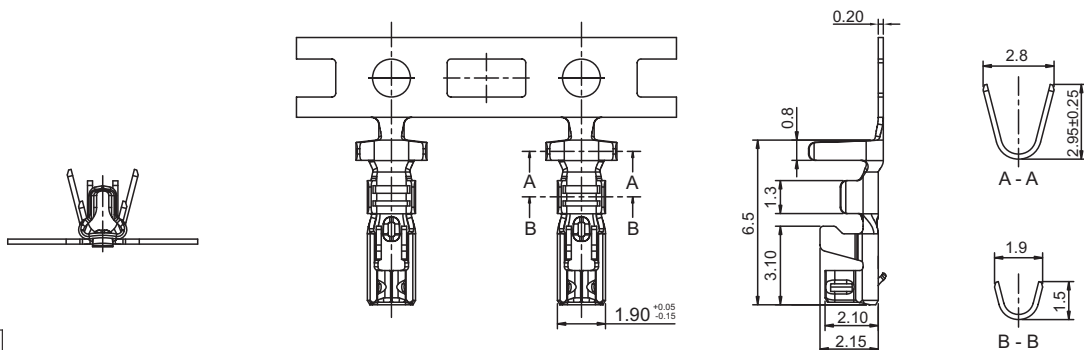
2253P



L1 = No. of contacts x 2.50 - 2.50
L2 = No. of contacts x 2.50 + 2.30



2253T



Wire range: AWG 22 to 28, isolation Ø 1.90 max

Tolerances		
Linear	X	± 0.25
	.XX	± 0.15
	.XXX	± 0.05

Part numbering guide

2253 P

02

Series

P = Housing

T = Terminal

No. of contacts

02 to 15, 20

(leave blank for terminal)

* standard

