

Serie CA0003

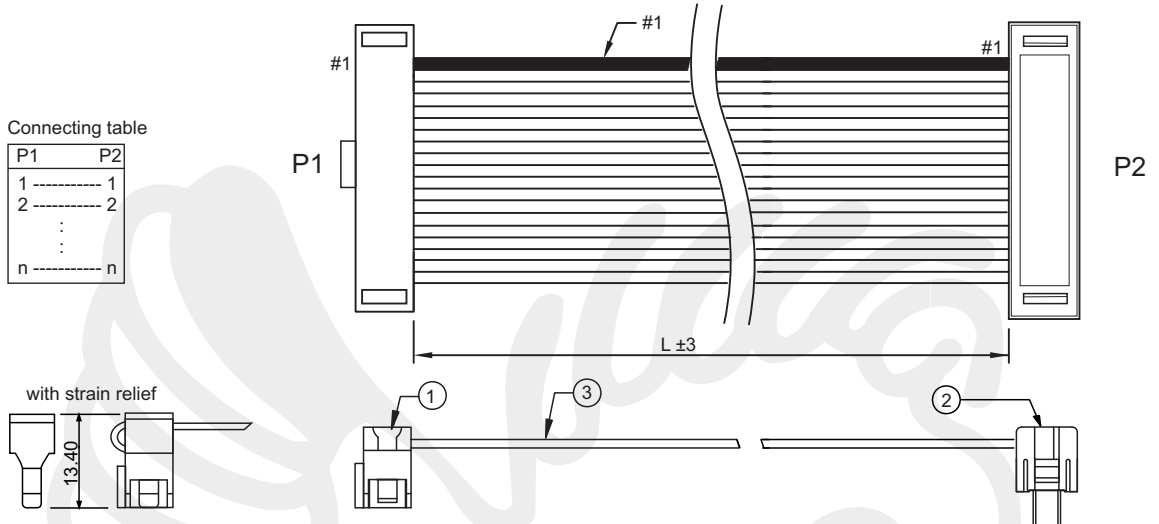
Flatcable w/ 2.54mm IDC Female Header and THT plug

Item	Description	Qty
1	2.54mm IDC female flatcable header, xx-pin, NEXUS 1690lxxMx	1
2	2.54mm IDC THT male plug, xx-pin, NEXUS 1694KxxMBK	1
3	Flatcable pitch 1.27mm, UL2651 AWG #26/28, length see spec.	1

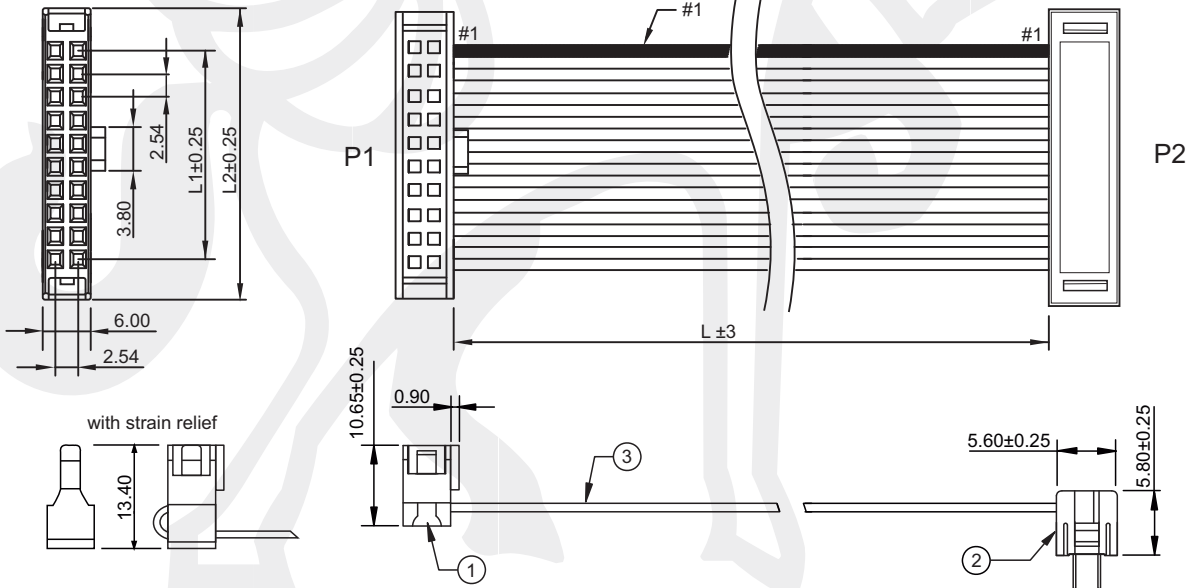
CA0003A

Connecting table

P1	P2
1	1
2	2
...	...
n	n



CA0003B



$$L1 = \left(\frac{\text{No. of contacts}}{2} - 1 \right) \times 2.54$$

$$L2 = \left(\frac{\text{No. of contacts}}{2} \right) \times 2.54 + 4.70$$

Tolerances	
Linear	X. ± 0.30
	.X ± 0.25
	.XX ± 0.20



All dim. in mm

CA 0003	A	B	20	050
Type	Header Type P1	No. of contacts	Length L	
A = Type A	A = with bar & strain relief	08 ~ 64	i.e. 050 = 50mm	
B = Type B	B = with bar, w/o strain relief			