

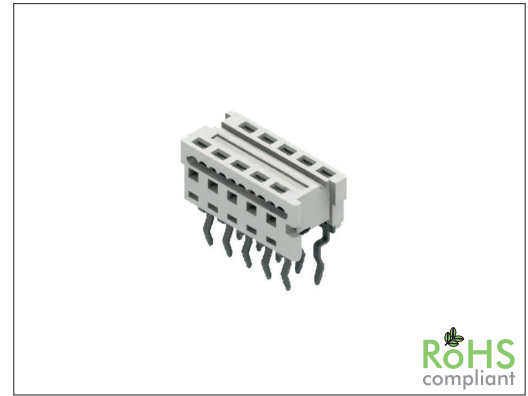
# 2283

# 2.54 mm Picoflex IDC DIP Flatcable Header

### General specifications

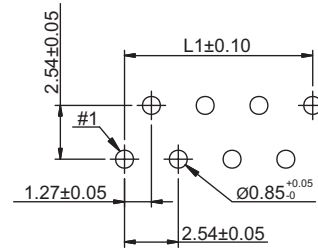
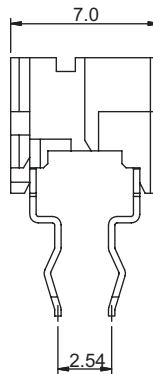
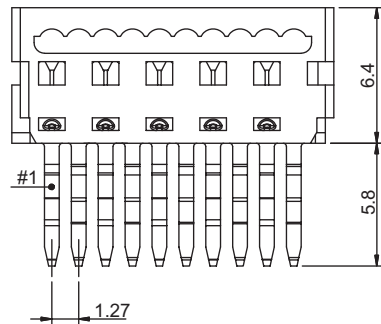
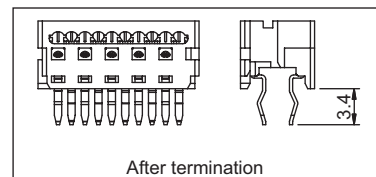
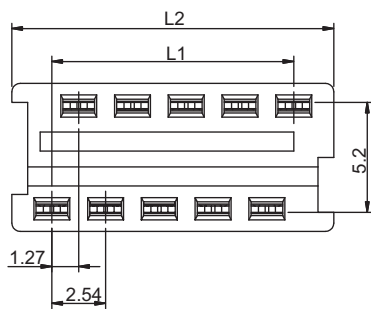
Insulator material	Polyester w/ fiber glass, UL94V-0, color: nature
Contact material	Phosphor bronze
Current rating	1.2 A
Contact resistance	15 mΩ max.
Insulator resistance	1000 MΩ min.
Dielectrical withstanding	750 VAC for 1 min
Operating temperature	-40 °C to +105 °C
Wire range	AWG 26 to 28
Soldering	Lead free wave soldering process

### Mating parts series



### Mechanical dimensions

Unit: mm



Recommended P.C.B. layout

$$L1 = (\text{No. of contacts}-1) \times 1.27$$

$$L2 = L1 + 3.78$$

#### Tolerances

Linear	X	± 0.30
	XX	± 0.20
	XXX	± 0.10

### Part numbering guide

**2283 K** — **04** — **T**

Series  
K = IDC DIP male

No. of contacts  
04 to 26

Contact plating  
T = Tin  
other plating on request

\* standard

