

Series 43600 6x RCA Jack / Cinch Horizontal

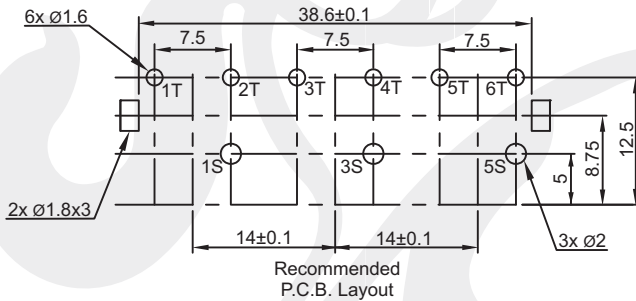
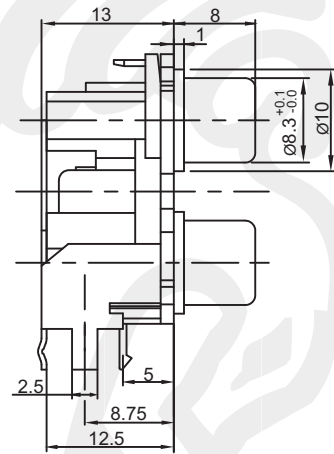
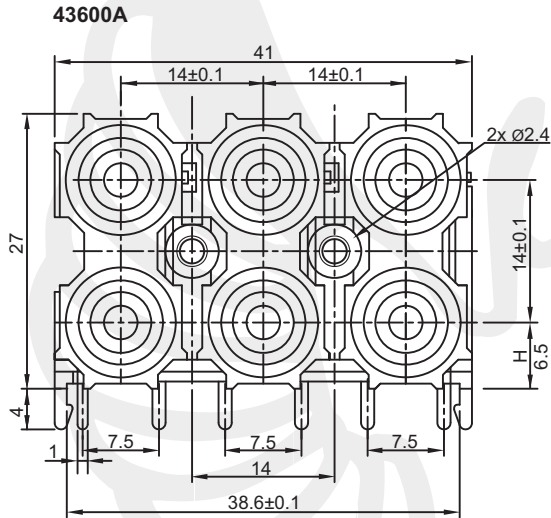
Material

Base, insulator: ABS
 Color washer: PBT + 15% glass fiber
 Contact break / needle: H65 Brass / QSn 6.5-0.1

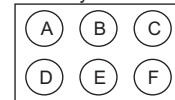
Electrical

Rating: 0.2 Amp @ 50 VDC
 Contact resistance: 30 mΩ max.
 Insulator resistance: 100 MΩ min.
 Dielectrical withstanding: 500 VAC/minute
 Operating temperature: -40°C ~ +70°C
 Durability: 500 cycles

43600A

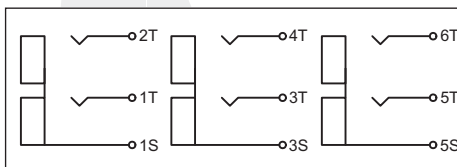


Color layout



Code	A	B	C
	D	E	F
01	green red	blue white	red black
02	green red	blue white	red orange
03	green red	black white	red orange
04	t.b.d. by customer		

Tolerances		
Linear	<6	± 0.1
	6-20	± 0.2
	>20	± 0.3



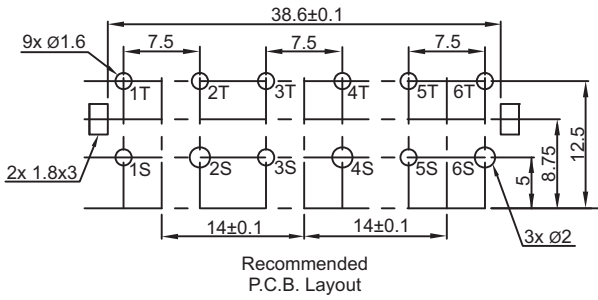
All dim. in mm

43600 A — **01**

Series: 43600A, 43600B, 43600C
 Color code: see table
 Packing: Box

Series 43600 6x RCA Jack / Cinch Horizontal

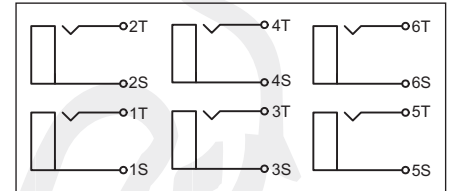
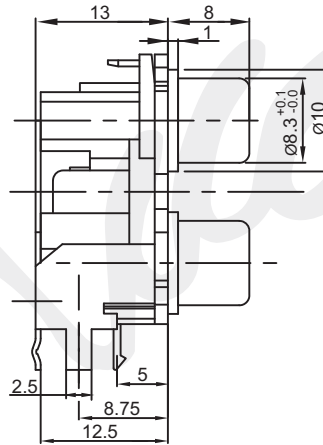
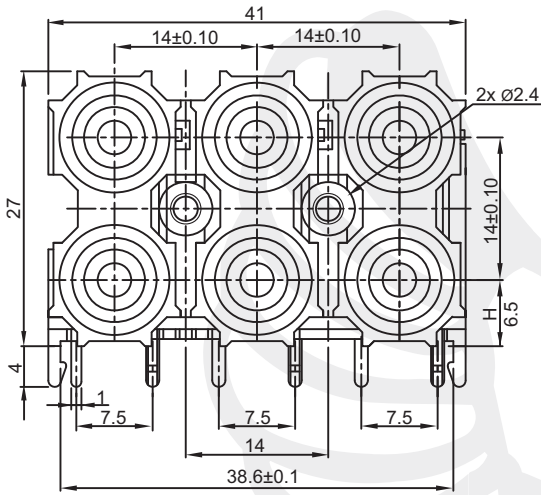
43600B



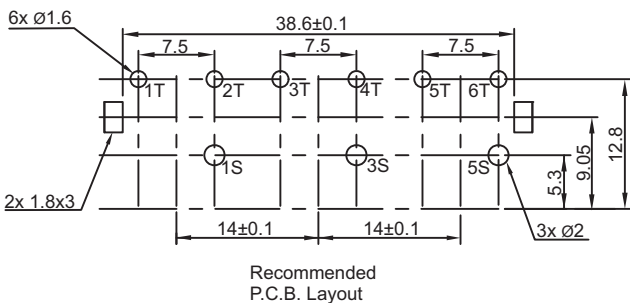
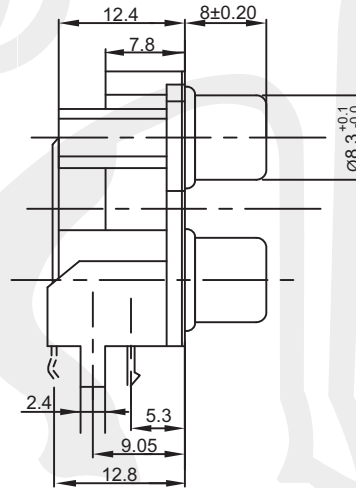
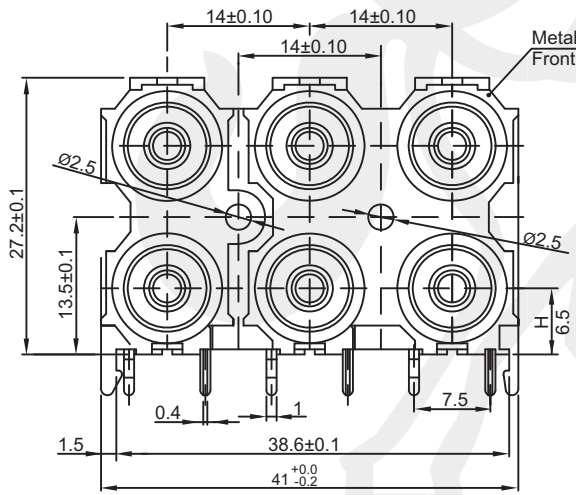
43600B



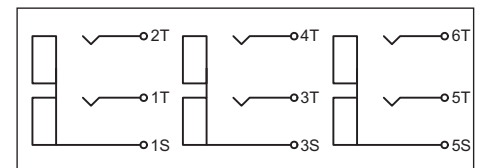
43600C



43600C



Recommended P.C.B. Layout



Tolerances	
Linear	<6 ± 0.1
	6-20 ± 0.2
	>20 ± 0.3



All dim. in mm