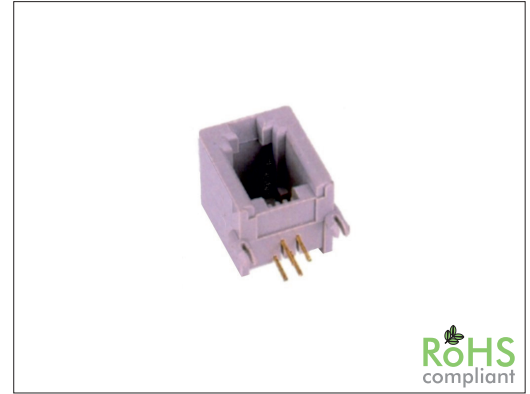


61311 Series RJ10 4P Side Entry

General specifications

Insulator material	PBT w/ glass fiber, UL94V-0, color: see order code
Contact material	Phosphor bronze
Current rating	1 A
Voltage rating	150 VAC
Contact resistance	50 mΩ max.
Insulator resistance	200 MΩ min.
Dielectrical withstanding	1000 VAC for 1 min
Operating temperature	-40 °C to +85 °C
Soldering	Lead free wave soldering process
Durability	750 cycles

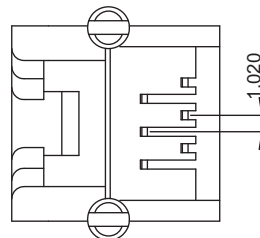
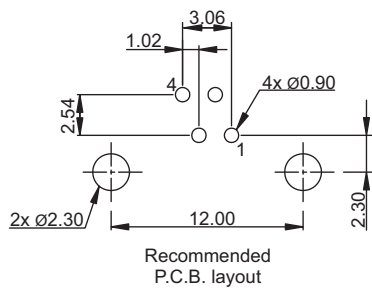
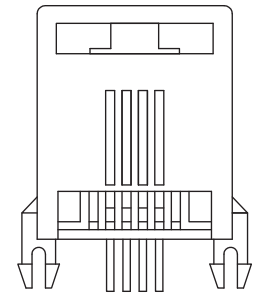
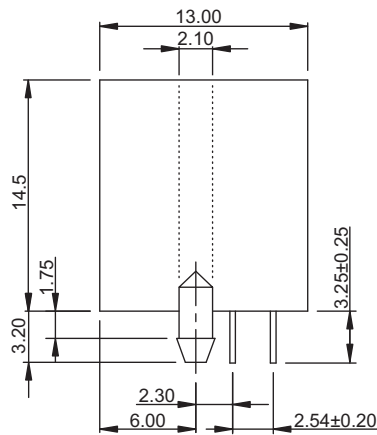
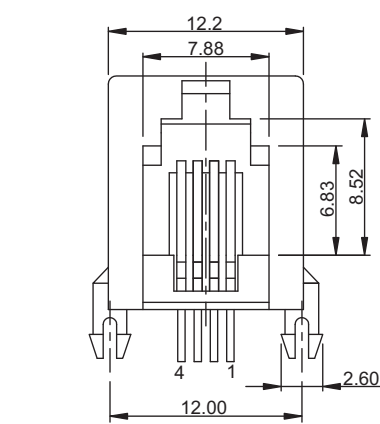
Mating parts series



RoHS
compliant

Mechanical dimensions

Unit: mm



Tolerances		
Linear	X	± 0.25
	.XX	± 0.13
	.XXX	± 0.05

Part numbering guide

61311	C	G
Series	Contact plating C = 3 μ" gold K = 50 μ" gold D = 6 μ" gold F = 15 μ" gold J = 30 μ" gold	Housing Color G = Gray (leave blank for black)

* standard

