

# 2301 Series

# 3.00 mm Micro MF Header Single Row

### General specifications

Insulator material	Nylon 6T or Nylon 9T, UL94V-0, color: black
Contact material	Brass
Current rating	5 A (with two pins 7 A max.)
Voltage rating	250 VAC
Contact resistance	10 mΩ max.
Insulator resistance	1000 MΩ min.
Dielectrical withstanding	1500 VAC for 1 min
Operation temperature	-40 °C to +105 °C
Soldering	Lead free wave soldering process

### Mating parts series

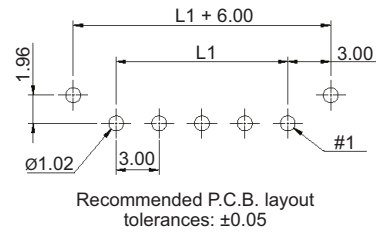
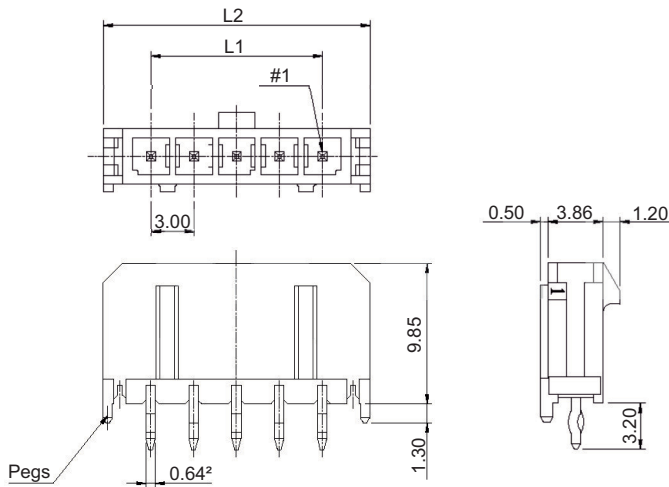
2301-P or cable assembly



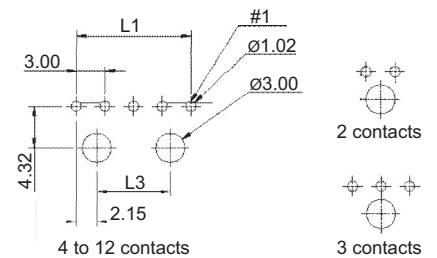
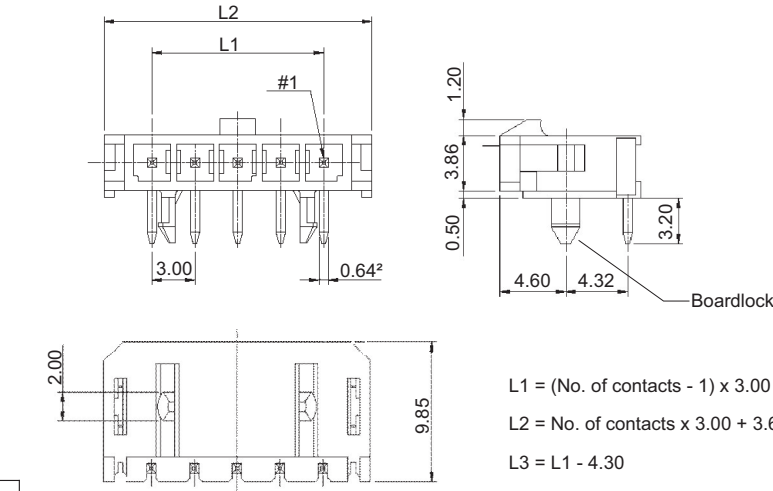
### Mechanical dimensions

Unit: mm

#### 2301S



#### 2301R



L1 = (No. of contacts - 1) x 3.00  
 L2 = No. of contacts x 3.00 + 3.65  
 L3 = L1 - 4.30

#### Tolerances

Linear	X	± 0.30
	XX	± 0.20
	XXX	± 0.10

### Part numbering guide

<b>2301 S</b>	<b>02</b>	<b>B</b>	<b>0</b>
Series S = THT straight R = THT right angle	No. of contacts 02 to 12	Contact plating B = Flashgold F = 15 μ" gold T = Tin	Boardlock / position peg 0 = w/o lock or peg 1 = w/ peg for 2300S 1 = w/ lock for 2300R

\* standard

