

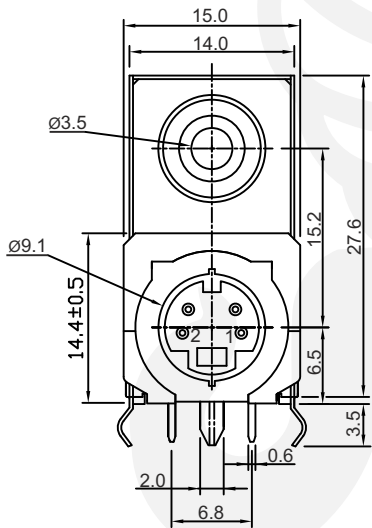
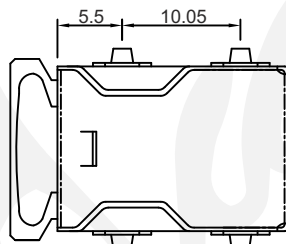
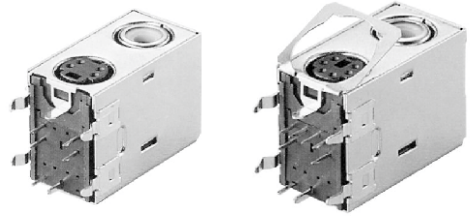
Series 43021 Mini DIN - RCA Jack Combination

Material

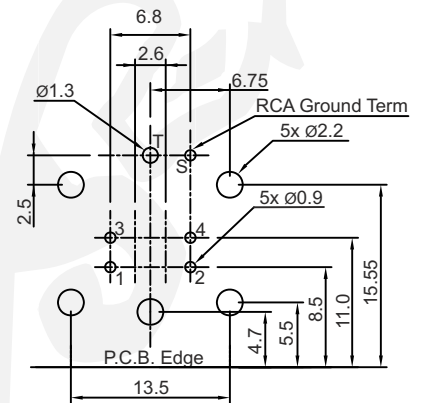
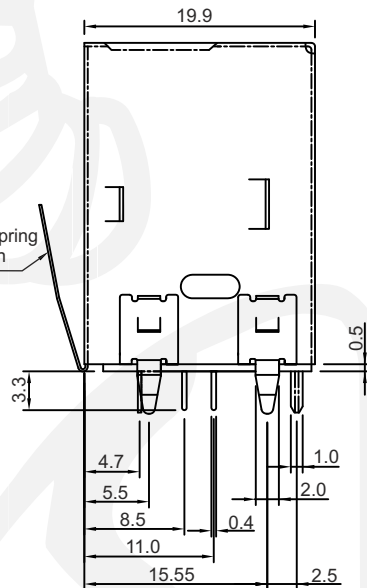
Housing: PBT + Glass fiber
 Mini DIN Term.: Phosphor bronze, tin plated
 RCA Term.: Brass, tin plated
 Shield: Brass, nickel plated

Electrical

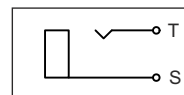
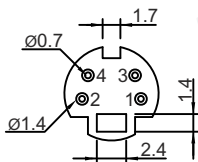
Rating: 0.2 Amp @ 50 VDC
 Contact resistance: 30 mΩ max.
 Insulator resistance: 100 MΩ min.
 Dielectrical withstanding: 250 VAC/minute
 Operating temperature: -25°C ~ +70°C
 Durability: 100 cycles



Ground Spring Option



Recommended P.C.B. Layout Bottom View



Tolerances	
Linear	<6 ± 0.1 6-20 ± 0.2 >20 ± 0.3



All dim. in mm



Series
43021Z

Color code
 01 = black
 02 = red
 03 = white
 04 = blue

05 = green
 06 = orange
 07 = yellow

Ground Spring
 blanc = w/o spring
 G = with spring

Packing
 Tray