

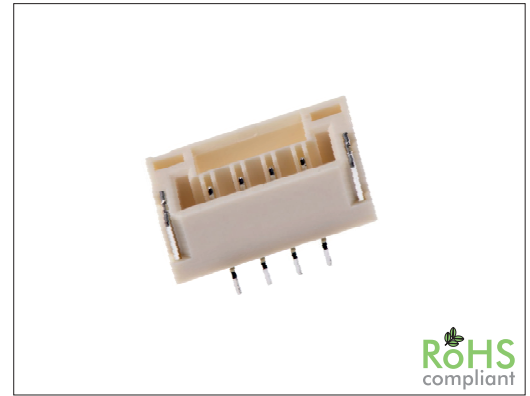
2126 Series 1.25 mm SMT Pin Header

General specifications

Insulator material	High temp. plastic, UL94V-0, color: natural (halogen free)
Contact material	Phosphor bronze
Current rating	1 A
Voltage rating	50 V AC/DC
Contact resistance	30 mΩ max.
Insulator resistance	100 MΩ min.
Dielectrical withstanding	500 VAC for 1 min
Operating temperature	-25 °C to +85 °C
Soldering	JEDEC lead free reflow soldering process

Mating parts series

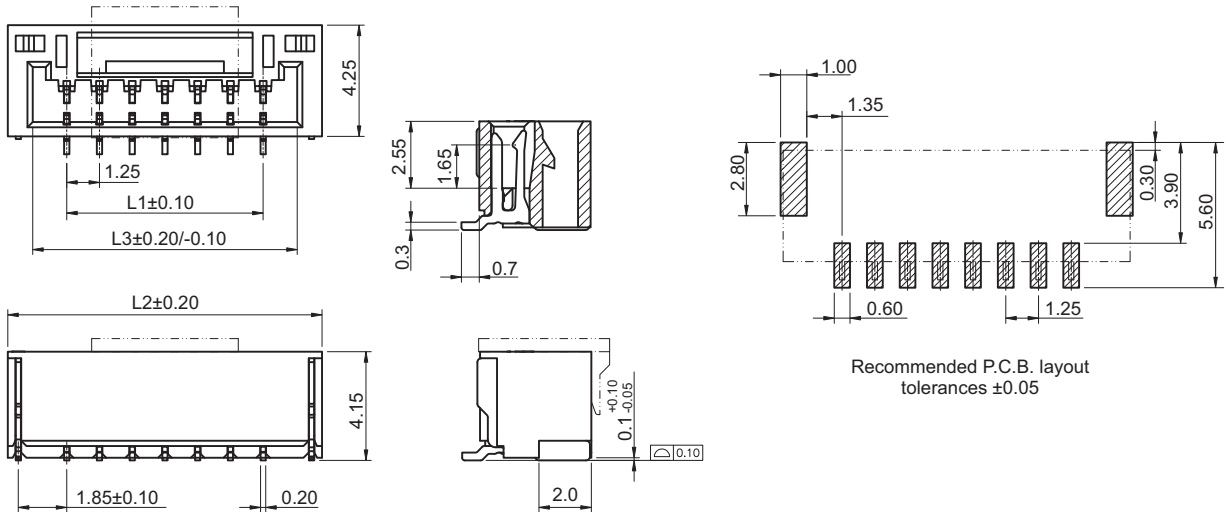
2126-PT or cable assembly



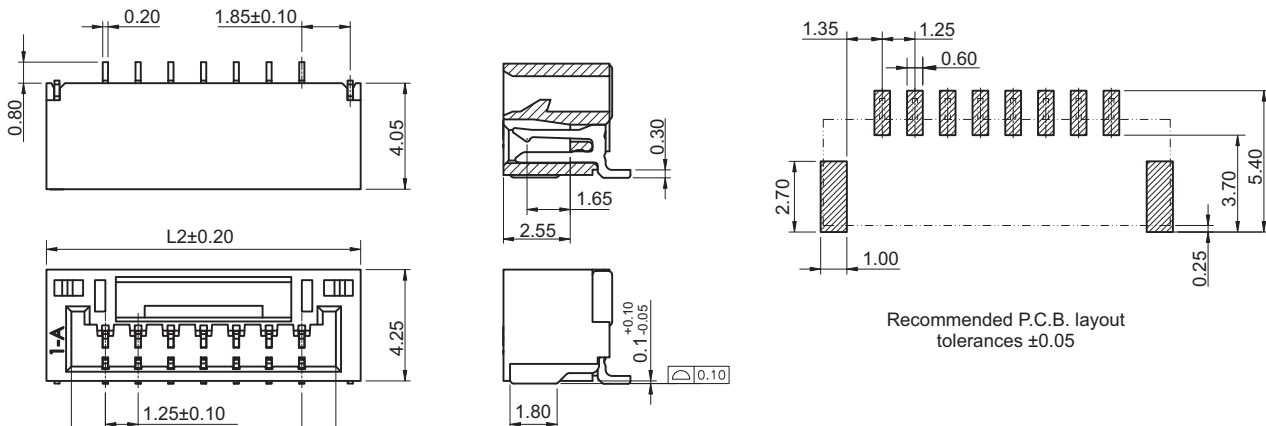
Mechanical dimensions

Unit: mm

2126V



2126H



L1 = (No. of contacts - 1) x 1.25
 L2 = L1 + 4.5
 L3 = L1 + 2.6

Tolerances		
Linear	X	± 0.30
	XX	± 0.25
	XXX	± 0.20

Part numbering guide

2126 H — 02 — T — R

Series
 H = SMT horizontal
 V = SMT vertical

No. of contacts
 02 to 12, 14
 (13, 15, 18, 20 available
 on request)

Contact plating
 T = Tin*
 B = Flashgold

Packing
 R = Reel
 T = Tube

* standard

