

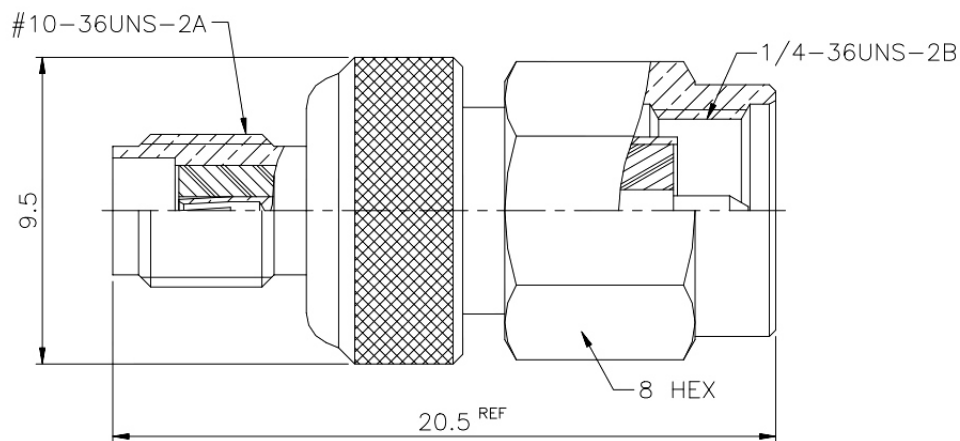
Series 49041 Adapter SSMA Jack to SMA Plug

Material

Insulator:	Teflon
Body:	Brass, finish 3 μ " gold
Center contact:	Beryllium copper, finish 30 μ " gold
Crimp ferrules:	Annealed brass, finish 3 μ " gold

Electrical

Impedance:	50 Ω
Frequency range:	0 - 18 GHz
Contact resistance:	center: 6 m Ω max. / outer: 2.5 m Ω max.
Insulator resistance:	1000 M Ω min.
Operating temperature:	-55 $^{\circ}$ C ~ +105 $^{\circ}$ C
Durability:	500 cycles



Tolerances	
Linear	<6 ± 0.2
	6-30 ± 0.4
	>30 ± 0.6

RoHS
compliant

All dim. in mm

49041

Series
49041

Packing
Tray / Bulk