

49061 Series SSMB Jack Straight

General specifications

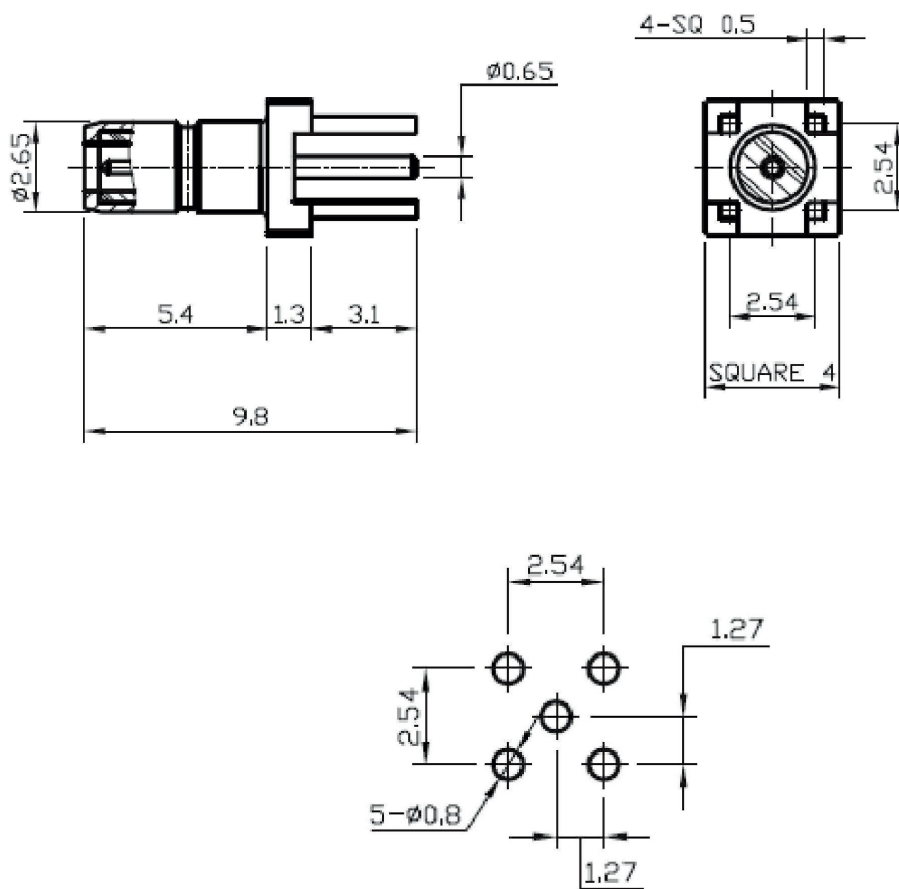
Insulator material	Teflon
Body material	Brass, plating: gold
Center contact material	Brass, plating: gold
Contact resistance	Center: 5 mΩ max., outer: 2.5 mΩ max.
Insulator resistance	1000 MΩ min.
Dielectrical withstanding	50 VAC for 1 min.
Impedance / Frequency range	50 Ω / 0 to 4 GHz
VSWR	1.3 + 0.02 F (GHz) max.
Operating temperature	-65 °C to +165 °C
Durability	500 cycles

Mating parts series



Mechanical dimensions

Unit: mm



Recommended P.C.B. layout

Tolerances

Linear	< 6	± 0.20
	6 to 30	± 0.40
	> 30	± 0.60

Part numbering guide

49061

Series

* standard

