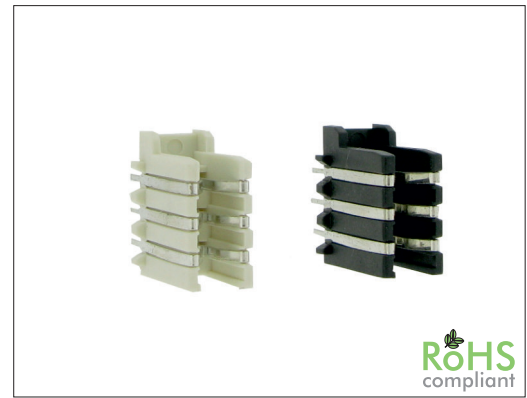


6000 Series

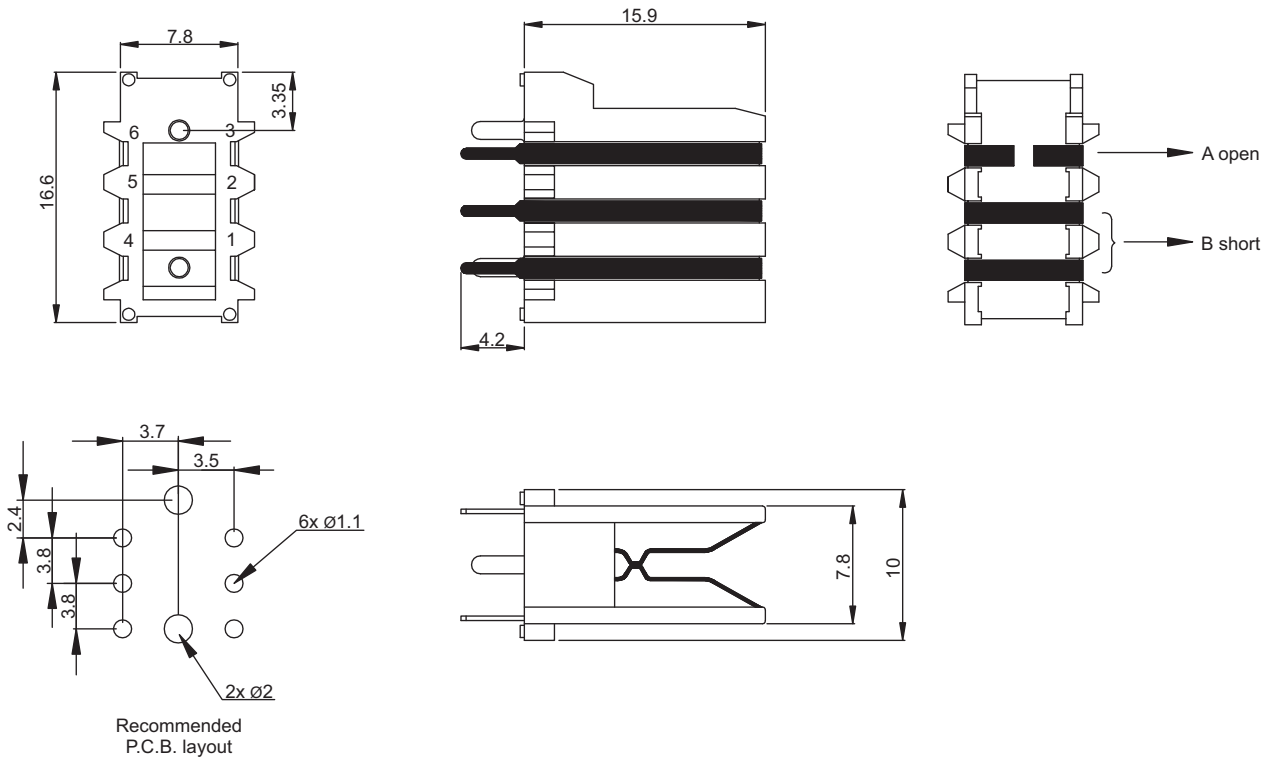
TAE Socket 180°

General specifications	
Insulator material	Nylon 9T, UL94V-0
Contact material	Phosphor bronze stannum
Mating parts series	



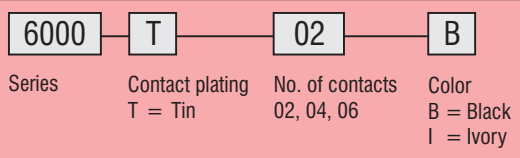
Mechanical dimensions

Unit: mm



Tolerances		
Linear	X.	± 1
	.X	± 0.5
	.XX	± 0.20

Part numbering guide



* standard

