

# 5563 Series

# Panelmount Fuseholder for 5 x 20 mm Fuses

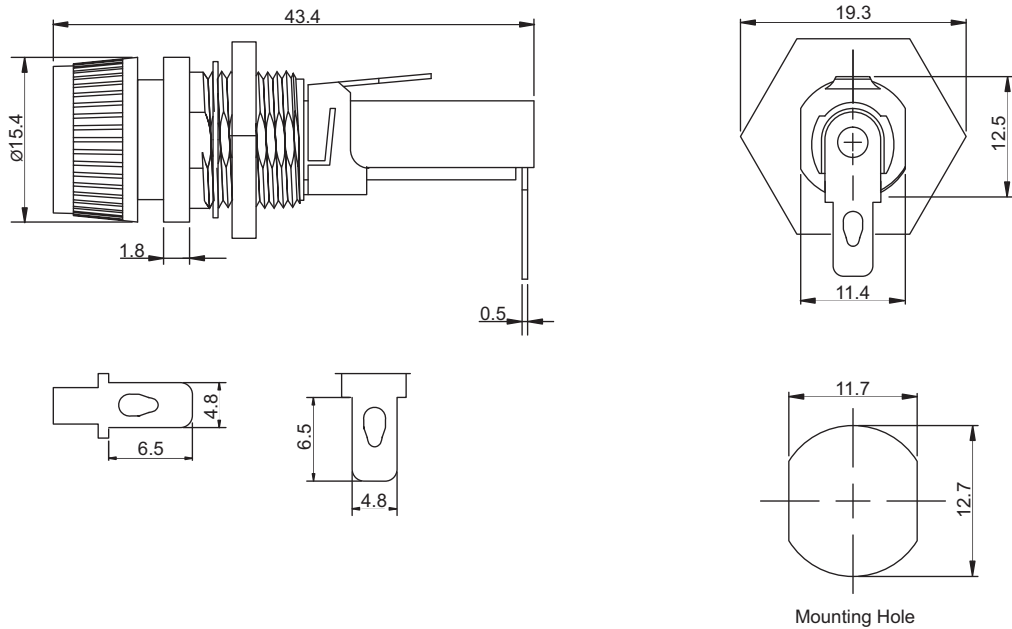
## General specifications

Insulator material	Thermoplastic, UL94V-0, color: black
Contact material	Copper alloy, plating: nickel or tin
Current rating	10 A / 20 A
Voltage rating	250 V
Insulator resistance	10000 M $\Omega$ min. @ 500 VDC
Contact resistance	5 m $\Omega$ max. @ 1 ADC
Dielectrical withstanding	1500 VAC for 1 min
<b>Mating parts series</b>	



## Mechanical dimensions

Unit: mm



Tolerances		
Linear	X	$\pm 0.38$
	.XX	$\pm 0.25$



## Part numbering guide

5563

Series

\* standard

