

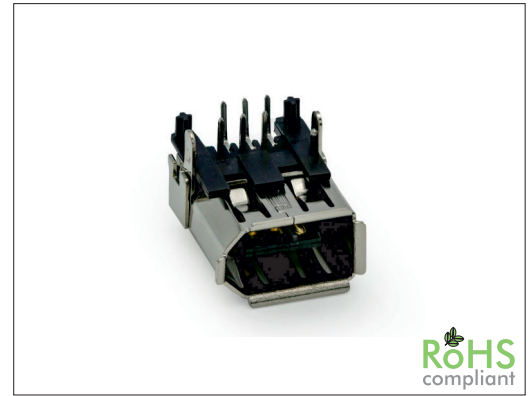
3924 Series

IEEE 1394 6 Pin Socket horizontal

General specifications

Insulator material	PBT, UL94V-0
Contact material	Brass
Current rating	1.5 A
Voltage rating	40 V AC/DC
Contact resistance	30 mΩ max.
Insulator resistance	100 MΩ min.
Dielectrical withstanding	500 VAC for 1 min
Operating temperature	-55 °C to +85 °C
Durability	1500 cycles

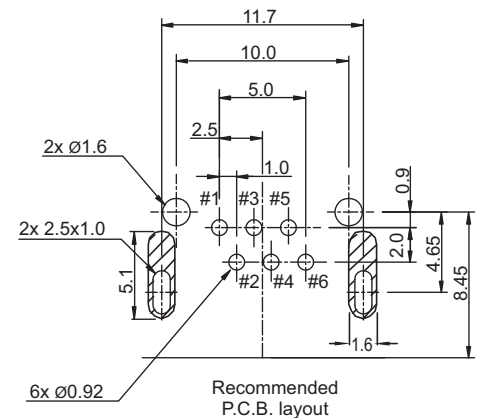
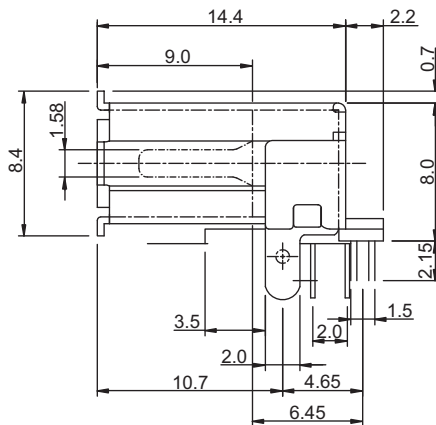
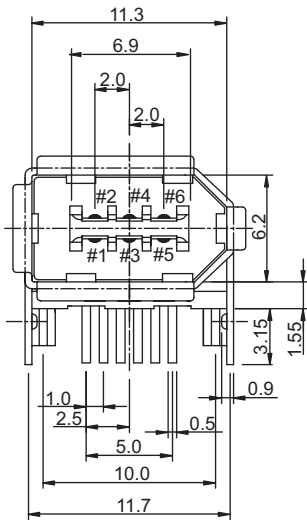
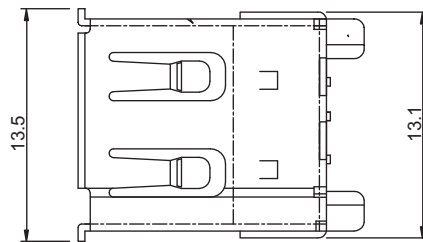
Mating parts series



RoHS
compliant

Mechanical dimensions

Unit: mm



Tolerances

Linear	X.	± 0.38
	.X	± 0.25
	.XX	± 0.13
	.XXX	± 0.05

Part numbering guide

3924 R	J	B	Y
Series	Contact plating	Color	Packing
R = THT right angle	J = 30 μ" gold	B = Black	Y = Tray

* standard

