

49192 Series

Knurled Nut for BNC Connector

General specifications

Body material Brass, plating: nickel

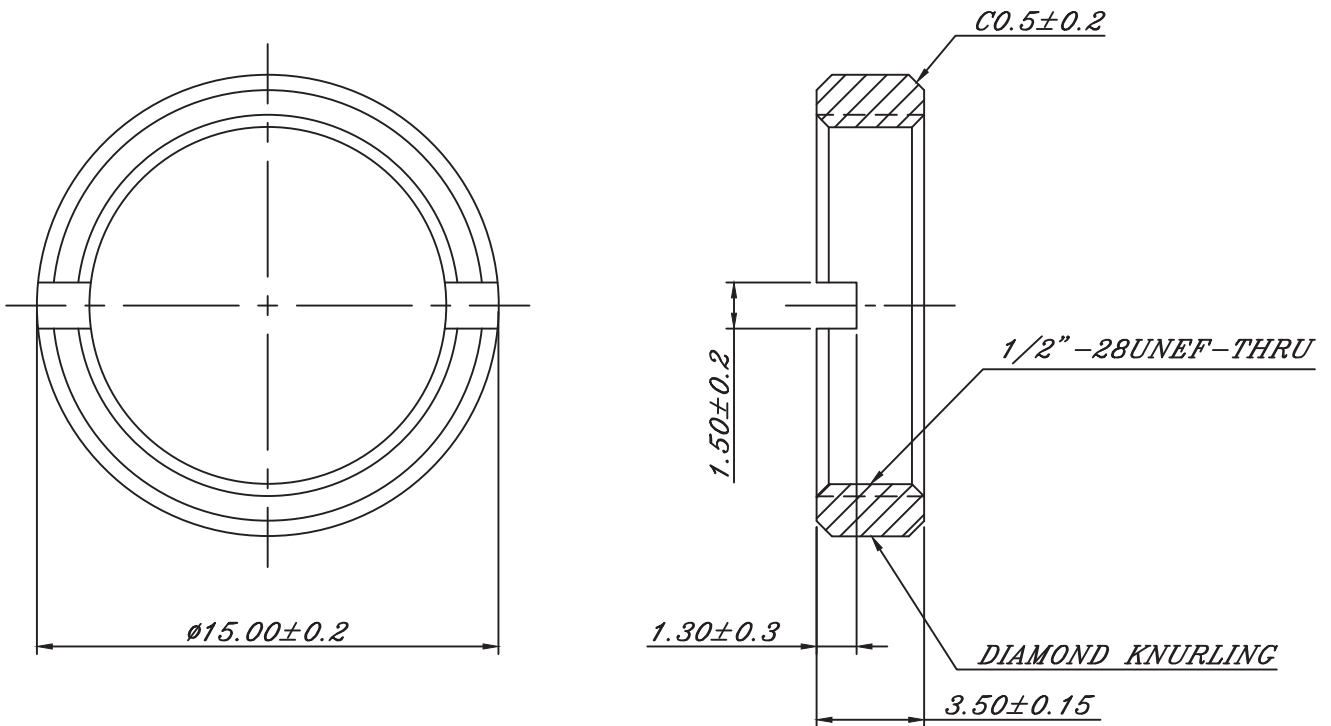
Mating parts series



RoHS compliant

Mechanical dimensions

Unit: mm



Tolerances		
Linear	X	± 0.20
	.XX	± 0.10

Part numbering guide

49192

Series

* standard

