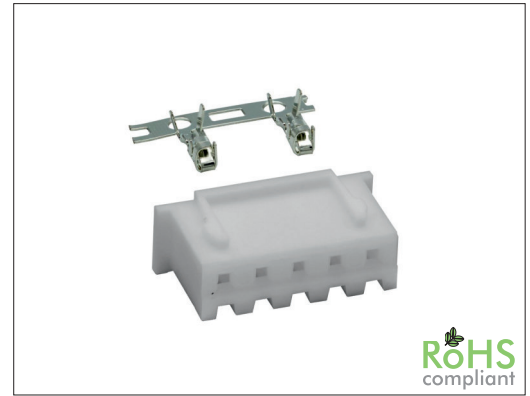


2257 Series

2.50 mm Housing and Terminal

General specifications

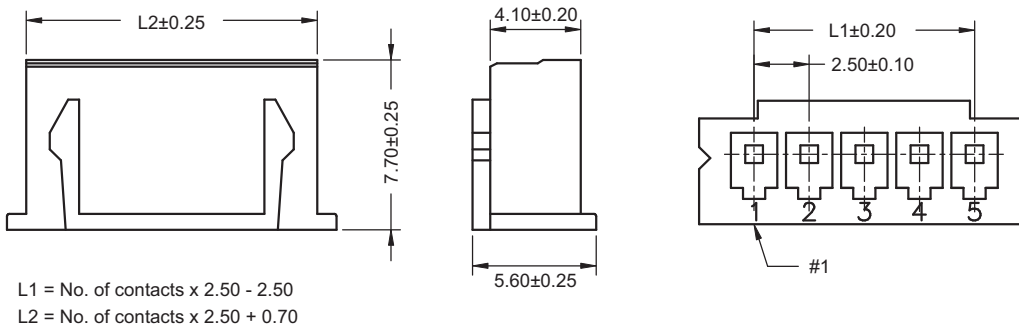
Insulator material	Nylon 66, UL94V-0, color: natural
Contact material	Phosphor bronze, plating tin
Current rating	3 A
Voltage rating	250 V AC/DC
Contact resistance	10 mΩ max.
Insulator resistance	1000 MΩ min.
Dielectrical withstanding	1000 VAC for 1 min
Operating temperature	-25 °C to +85 °C
Mating parts series	
2257-HV, 2257-SR	



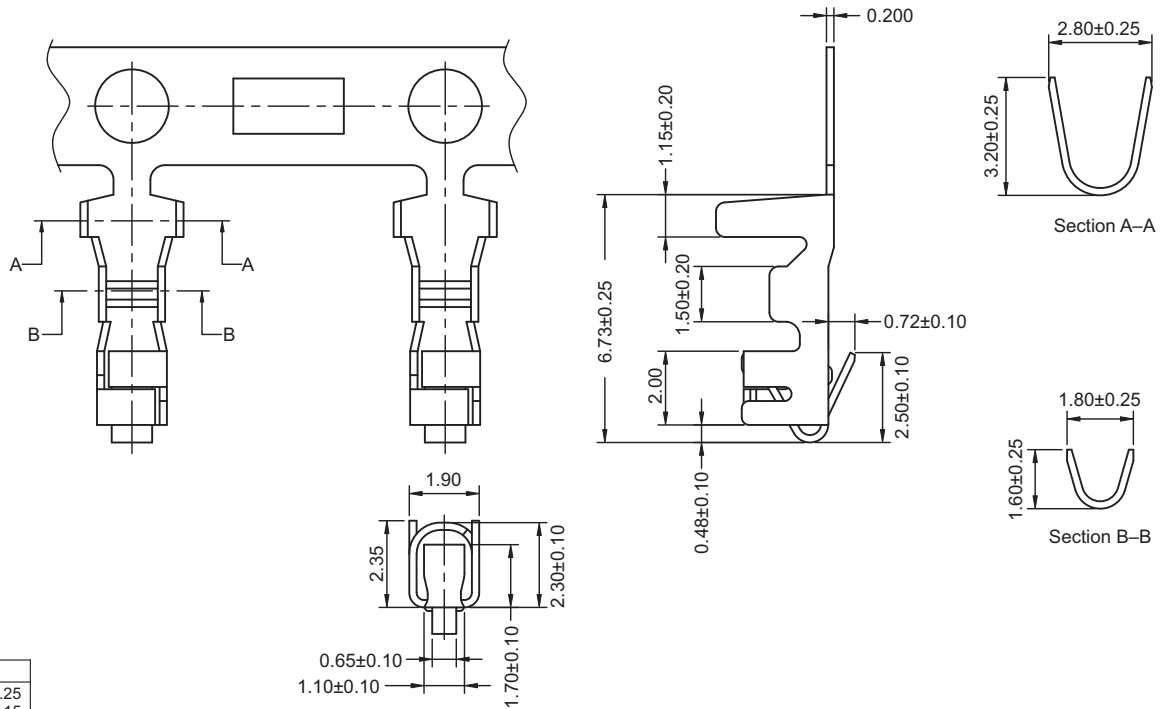
Mechanical dimensions

Unit: mm

2257P



2257T



Tolerances		
Linear	X	± 0.25
	.XX	± 0.15
	.XXX	± 0.05

Part numbering guide

2257 P

02

Series
P = Housing
T = Terminal

No. of contacts
02 to 20
(leave blank for terminal)

* standard

