

# Series 43601 6x RCA Jack / Cinch Horizontal

## Material

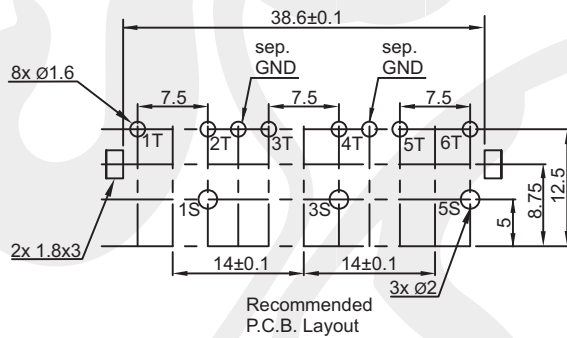
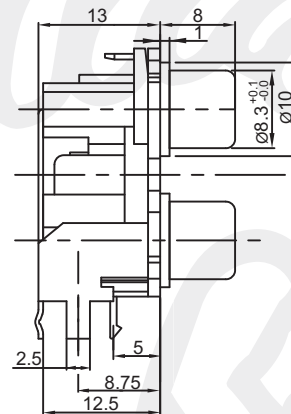
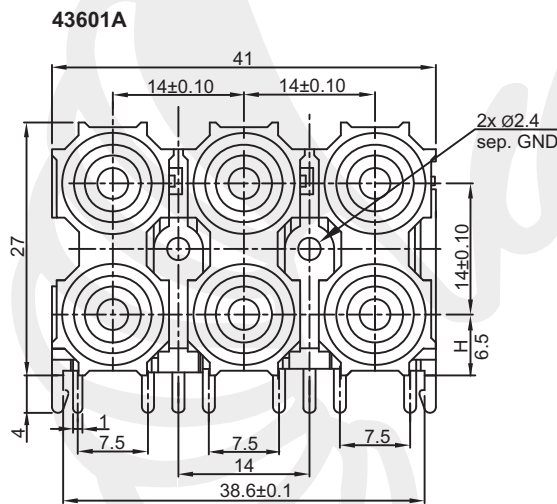
Base, insulator: ABS  
 Color washer: PBT + 15% glass fiber  
 Contact break / needle: H65 Brass / QSn 6.5-0.1

43601A

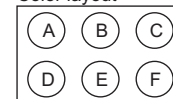


## Electrical

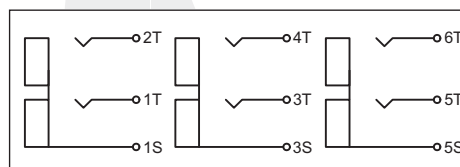
Rating: 0.2 Amp @ 50 VDC  
 Contact resistance: 30 mΩ max.  
 Insulator resistance: 100 MΩ min.  
 Dielectrical withstanding: 500 VAC/minute  
 Operating temperature: -40°C ~ +70°C  
 Durability: 500 cycles



### Color layout



Code	A D	B E	C F
01	green red	blue white	red black
02	green red	blue white	red orange
03	t.b.d. by customer		



Tolerances	
Linear	<6 ± 0.1 6-20 ± 0.2 >20 ± 0.3



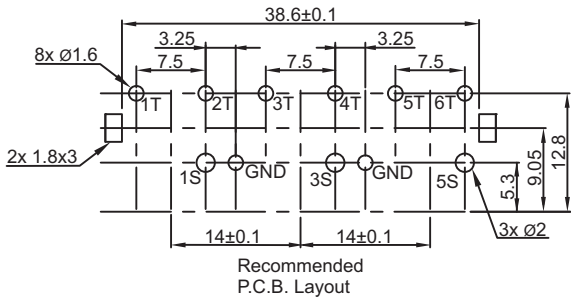
All dim. in mm

**43601 A** — **01**

Series: 43601A, 43601B, 43601C  
 Color code: see table  
 Packing: Box

# Series 43601 6x RCA Jack / Cinch Horizontal

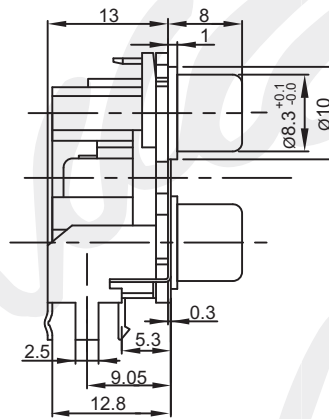
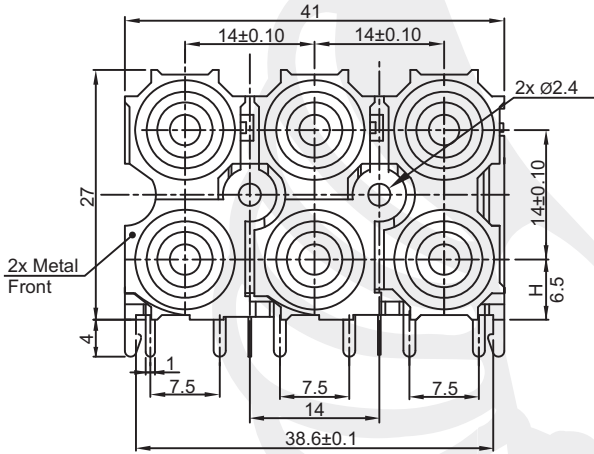
**43601B**



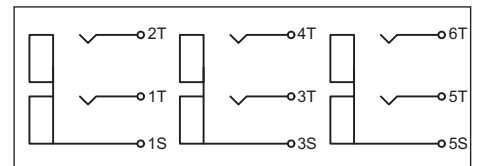
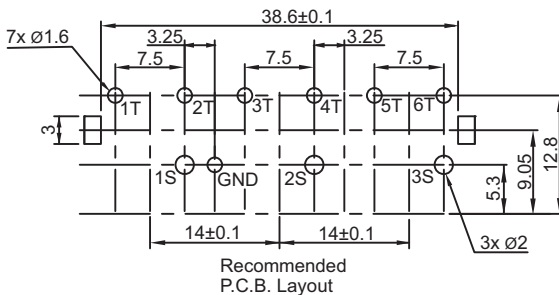
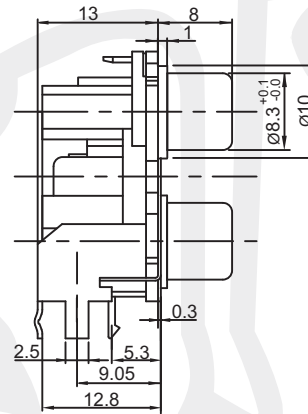
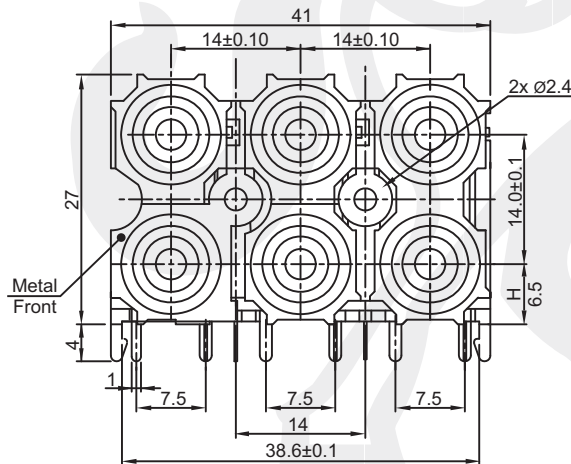
**43601B**



**43601C**



**43601C**



Tolerances	
Linear	<6 ± 0.1
	6-20 ± 0.2
	>20 ± 0.3



All dim. in mm