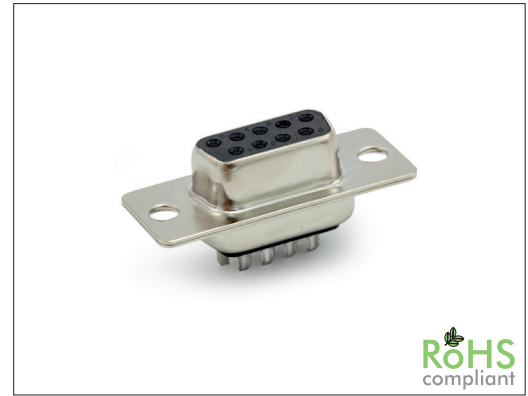


3032 Series

D-Sub Female Solder Type

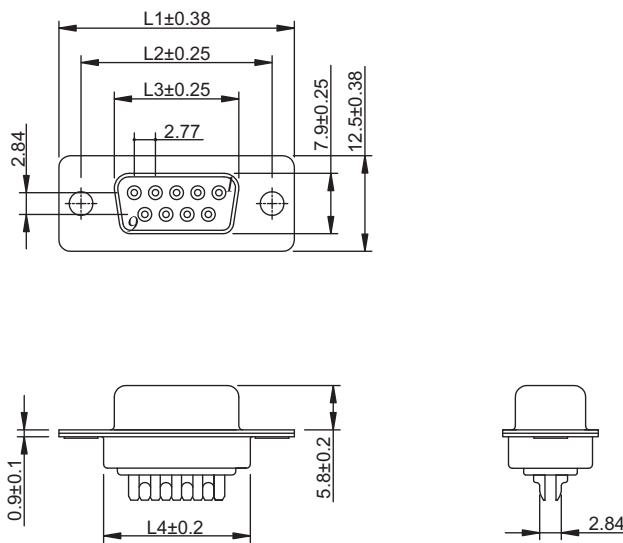
General specifications

Insulator material	PBT w/ 30% glass fiber, UL94V-0
Contact material	Copper alloy, metal shell: steel
Current rating	5 A
Contact resistance	30 mΩ max.
Insulator resistance	1000 MΩ min. @ 500 VDC
Dielectrical withstanding	500 VAC for 1 min
Operating temperature	-40 °C to +150 °C
Soldering	JEDEC lead free wave soldering process
Mating parts series	



Mechanical dimensions

Unit: mm



Contacts	L1	L2	L3	L4
09	30.80	25.00	16.30	19.20
15	39.20	33.30	24.60	27.70
25	53.10	47.10	38.30	41.10
37	69.40	63.50	54.80	57.30

Tolerances		
Linear	X	± 0.25
	.XX	± 0.10

Type 0 (w/o screws)	Type B (w/ riveted rear bolts)	Type E (w/ riveted front bolts)

Part numbering guide

3032 F	09	B	0
Series F = Female	No. of contacts 09, 15, 25, 37	Contact plating B = Flashgold* E = 10μ" gold F = 15μ" gold J = 30μ" gold	Mounting type 0 = w/o screws B = w/ riveted rear bolts 4.0 mm E = w/ riveted front bolts 5.8 mm

* standard

