

69A40 Series

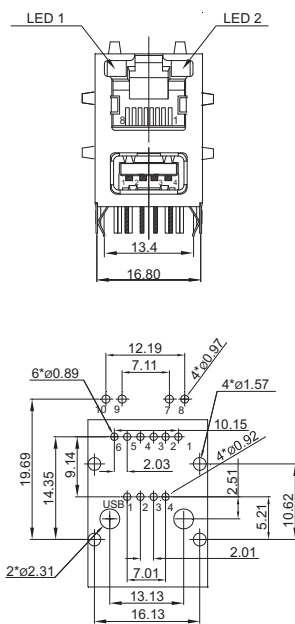
RJ45 10/100 BASE-T w/ LED and USB Port

General specifications	
Insulator material	PBT w/ glass fiber, UL94V-0
Contact material	Phosphor bronze
Current / voltage rating USB	1.5 A / 125 VAC
Contact resistance USB	40 mΩ max
Insulator resistance	200 MΩ min.
Dielectrical withstanding	1000 VAC for 1 min
Durability USB / RJ45	1500/ 750 cycles
Operation temperature	-40 °C to +85 °C
Complies with	IEEE 802.3
Soldering	Lead free wave soldering process
Mating parts series	

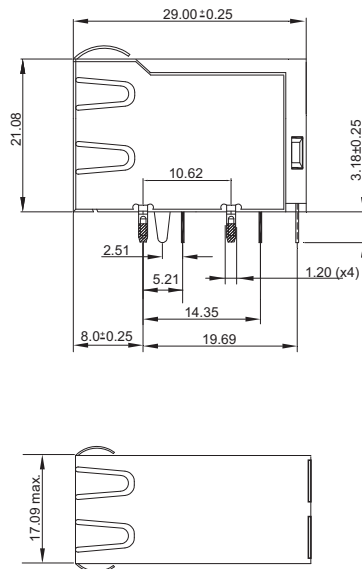


Mechanical dimensions

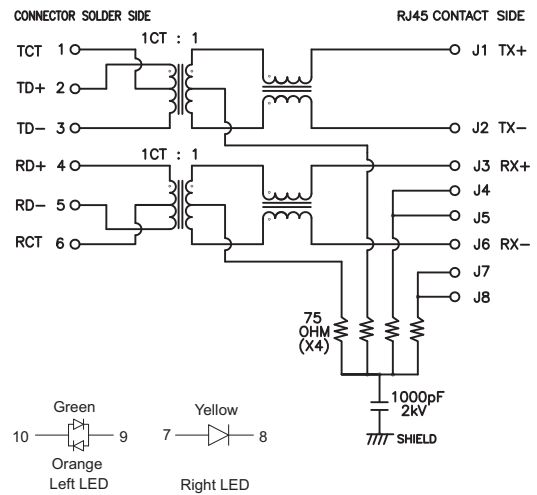
Unit: mm



Recommended P.C.B. layout component side



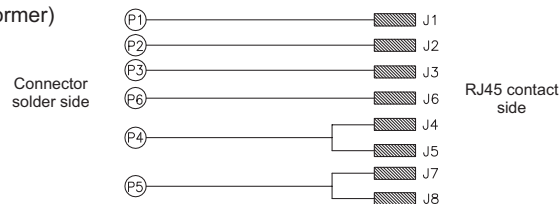
Schematics: 1201



Schematics 1201

Turns Ratio (±5%)	Insertion Loss (dB MAX)	Return Loss (dB MIN@100 Ω±15 Ω)			Crosstalk (dB MIN)	CMR (dB MIN)	DCMR (dB MIN)
		1-30 MHz	30-60 MHz	60-80 MHz			
1CT:1CT	1-100 MHz	-18dB	-18+20Log(F/30MHz)	-12dB	0.5-100 MHz	0.1-100 MHz	0.1-100 MHz
					-35dB	-30dB	-40dB

Schematics: 00 (w/o transformer)



Tolerances	
Linear	± 0.25

Part numbering guide

69A40	F	1201	G	Y	0
Series	Contact plating F = 15 μ ^a gold for RJ45 USB contacts: 30 μ ^a gold	Schematics see table	Color LED1 N = w/o LED E = Green/orange G = Green Y = Yellow	Color LED2	Ground spring 0 = w/o spring 1 = Top spring 2 = Side spring 3 = Top and side spring

* standard

