

2201 Series

2.00 mm AP SMT Pin Header

General specifications

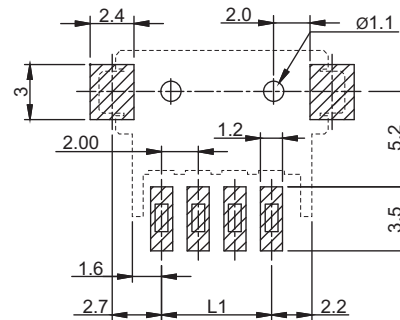
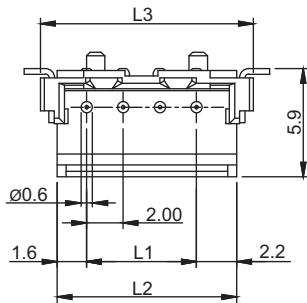
| | |
|---------------------------|--|
| Insulator material | Nylon w/ glass fiber, UL94V-0 |
| Contact material | Brass |
| Current rating | 4 A |
| Voltage rating | 125 V AC/DC |
| Contact resistance | 10 mΩ max. |
| Insulator resistance | 1000 MΩ min. |
| Dielectrical withstanding | 1000 VAC for 1 min |
| Operating temperature | -30 °C to +105 °C |
| Soldering | JEDEC lead free reflow soldering process |

Mating parts series

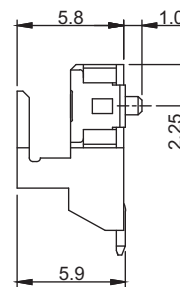
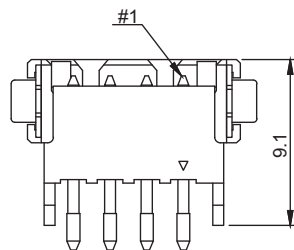


Mechanical dimensions

Unit: mm



Recommended P.C.B. layout

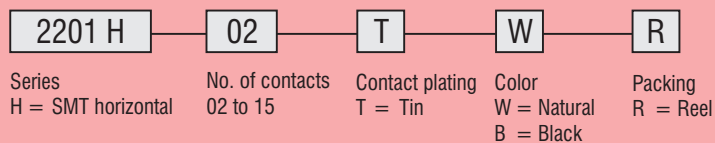


L1 = No. of contacts x 2.00 - 2.00
 L2 = No. of contacts x 2.00 + 1.80
 L3 = No. of contacts x 2.00 + 3.60

Tolerances

| | | |
|--------|------|--------|
| Linear | X | ± 0.25 |
| | .XX | ± 0.12 |
| | .XXX | ± 0.08 |

Part numbering guide



* standard

