

# Series 43242 2x RCA Jack / Cinch Vertical

## Material

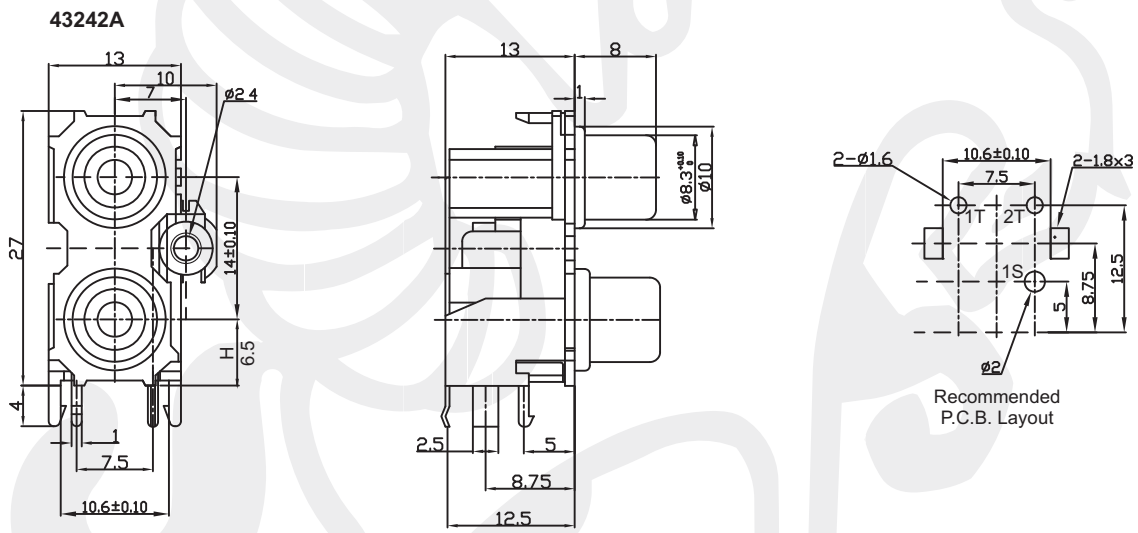
Base, insulator: ABS  
 Color washer: PBT + 15% glass fiber  
 Contact: Brass

43242A



## Electrical

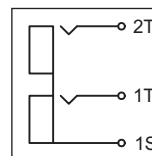
Rating: 0.2 Amp @ 50 VDC  
 Contact resistance: 30 mΩ max.  
 Insulator resistance: 100 MΩ min.  
 Dielectrical withstanding: 500 VAC/minute  
 Operating temperature: -40°C ~ +70°C  
 Durability: 500 cycles



Recommended P.C.B. Layout

Code	A	B
01	white	red
02	red	white
03	yellow	red
04	red	yellow
05	yellow	green
06	orange	orange
07	blue	red
08	green	blue
09	black	black
10	yellow	white
11	t.b.d. by customer	

Color layout



Tolerances	
Linear	<6 ± 0.1 6-20 ± 0.2 >20 ± 0.3



All dim. in mm

**43242 A** — **01**

Series 43242A  
 43242B  
 43242C  
 43242D

Color code see table

Packing Box

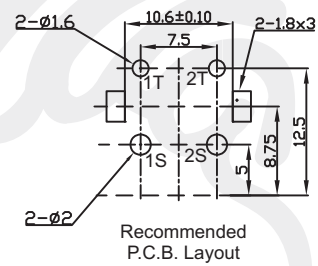
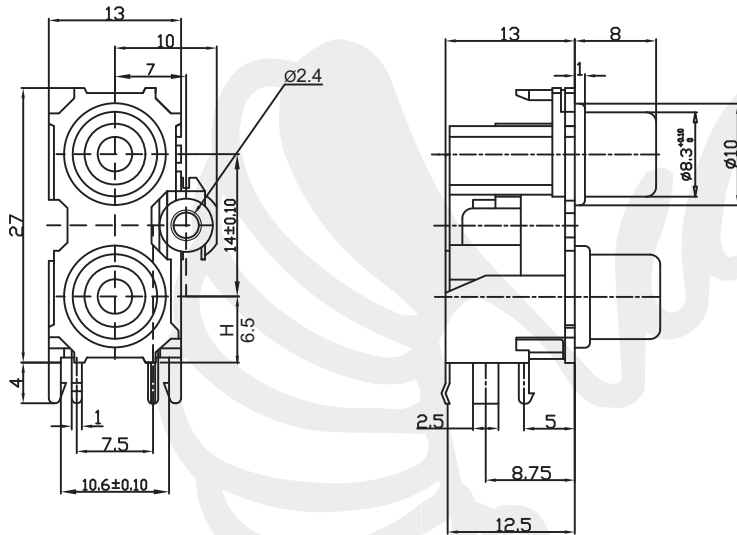
# Series 43242 2x RCA Jack / Cinch Vertical

43242B

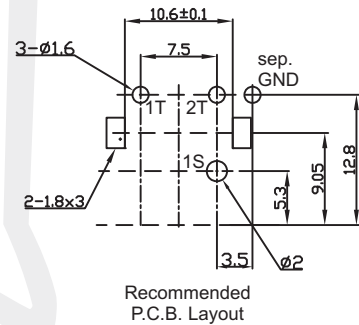
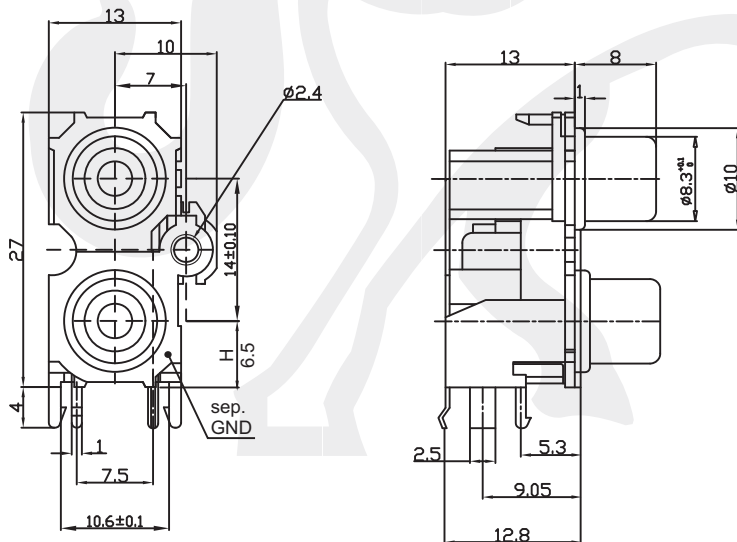
43242C



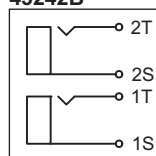
43242B



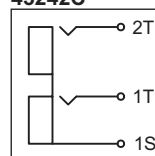
43242C



43242B



43242C



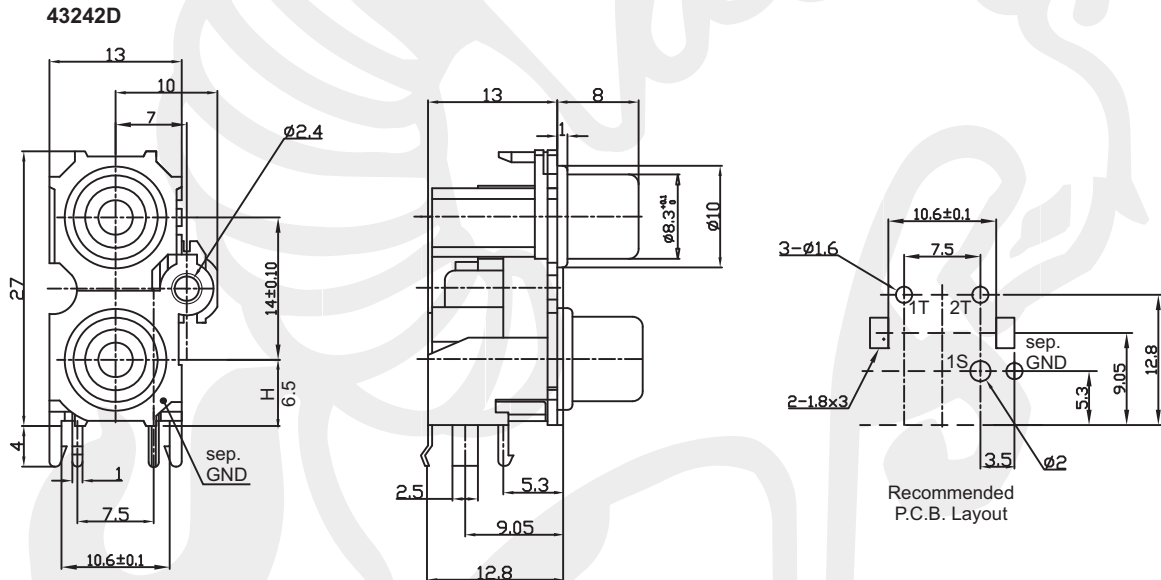
Tolerances	
Linear	<6 ± 0.1
	6~20 ± 0.2
	>20 ± 0.3



All dim. in mm

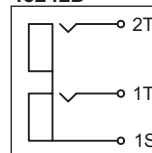
# Series 43242 2x RCA Jack / Cinch Vertical

43242D



Recommended P.C.B. Layout

43242D



Tolerances	
Linear	<6 ± 0.1
	6-20 ± 0.2
	>20 ± 0.3



This document is protected by copyright law and international treaties. Reproduction except for personal use and distribution of this document will be prosecuted to the maximum extent possible under the law. Subject to changes without prior notice. Errors and omissions excepted. Copyright by NEXUS COMPONENTS GmbH

All dim. in mm