

# Series 43303 3x RCA Jack / Cinch Horizontal

## Material

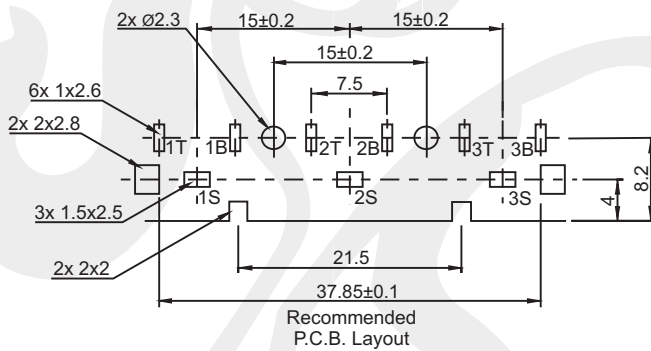
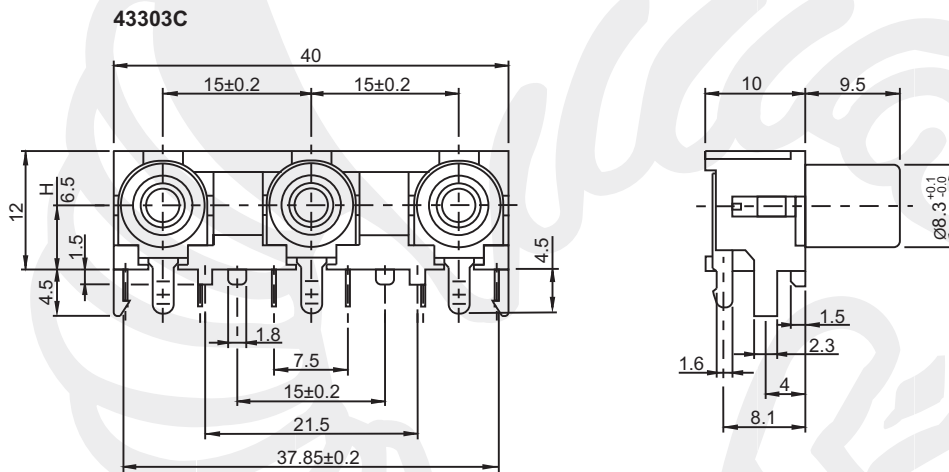
Base, insulator: ABS  
 Color washer: PBT + 15% glass fiber  
 Contact break / needle: H65 Brass / QSn 6.5-0.1

43303C



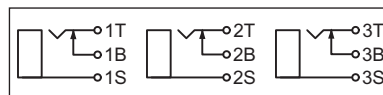
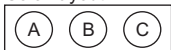
## Electrical

Rating: 0.2 Amp @ 50 VDC  
 Contact resistance: 30 mΩ max.  
 Insulator resistance: 100 MΩ min.  
 Dielectrical withstanding: 500 VAC/minute  
 Operating temperature: -40°C ~ +70°C  
 Durability: 500 cycles



Code	A	B	C
01	white	red	yellow
02	yellow	white	red
03	white	red	orange
04	orange	white	red
05	red	blue	green
06	yellow	blue	green
07	yellow	red	white
08	black	red	white
09	t.b.d. by customer		

Color layout



Tolerances	
Linear	<6 ± 0.1 6-20 ± 0.2 >20 ± 0.3



All dim. in mm

**43303 C**

**01**

Series  
43303C with switch

Color code  
see table

Packing  
Box