

# Series 43249 2x RCA Jack / Cinch Vertical

## Material

Base, insulator: ABS  
 Color washer: PBT + 15% glass fiber  
 Contact: Brass

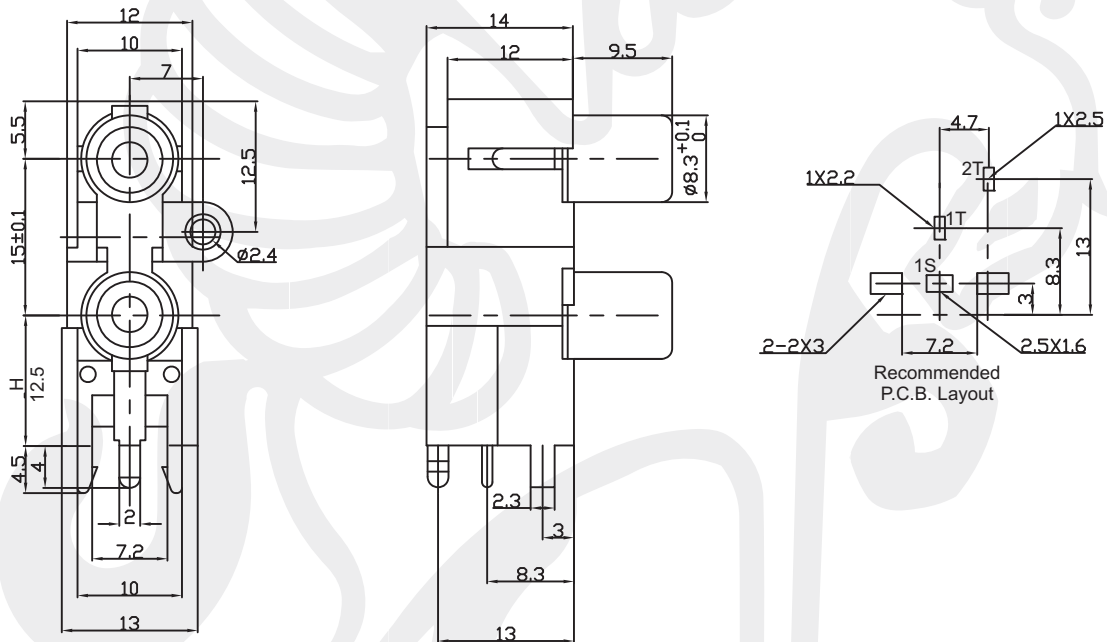
## Electrical

Rating: 0.2 Amp @ 50 VDC  
 Contact resistance: 30 mΩ max.  
 Insulator resistance: 100 MΩ min.  
 Dielectrical withstanding: 500 VAC/minute  
 Operating temperature: -40°C ~ +70°C  
 Durability: 500 cycles

43249Z

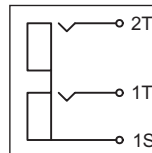


43249Z



Code	A	B
01	white	red
02	red	white
03	yellow	red
04	red	yellow
05	yellow	green
06	orange	orange
07	blue	red
08	green	blue
09	black	black
10	yellow	white
11	t.b.d. by customer	

Color layout



Tolerances	
Linear	<6 ± 0.1 6-20 ± 0.2 >20 ± 0.3



All dim. in mm

**43249 Z**

**01**

Series  
 43249Z  
 43249A with switch  
 43249B  
 43249C with switch

Color code  
 see table

Packing  
 Box

# Series 43249 2x RCA Jack / Cinch Vertical

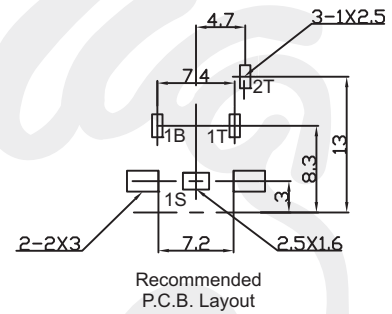
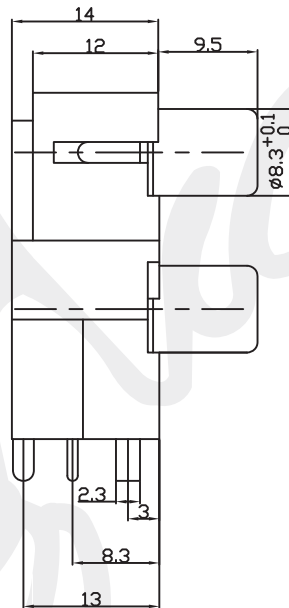
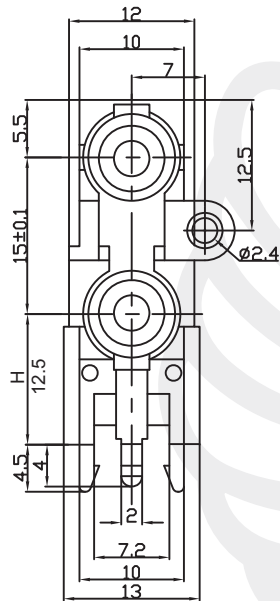
This document is protected by copyright law and international treaties. Reproduction except for personal use and distribution of this document will be prosecuted to the maximum extent possible under the law. Subject to changes without prior notice. Errors and omissions excepted. Copyright by NEXUS COMPONENTS GmbH

43249A

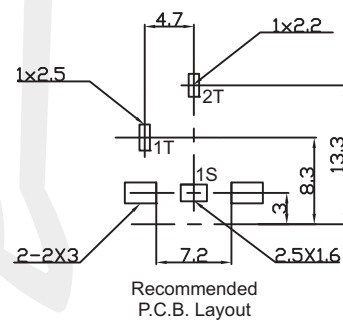
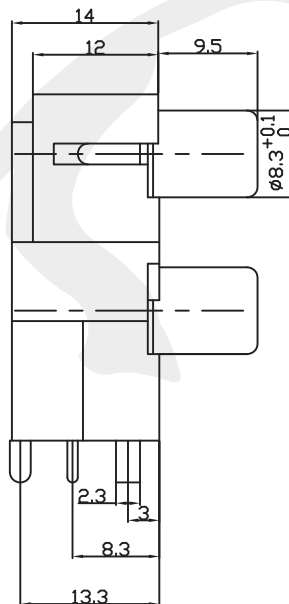
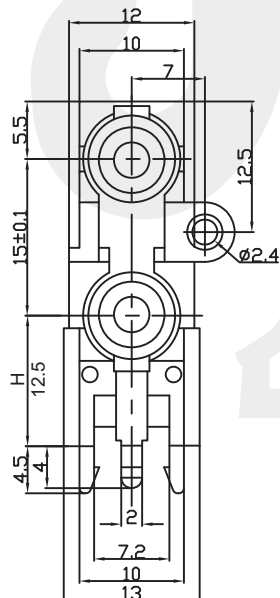
43249B



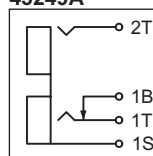
43249A



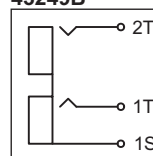
43249B



43249A



43249B



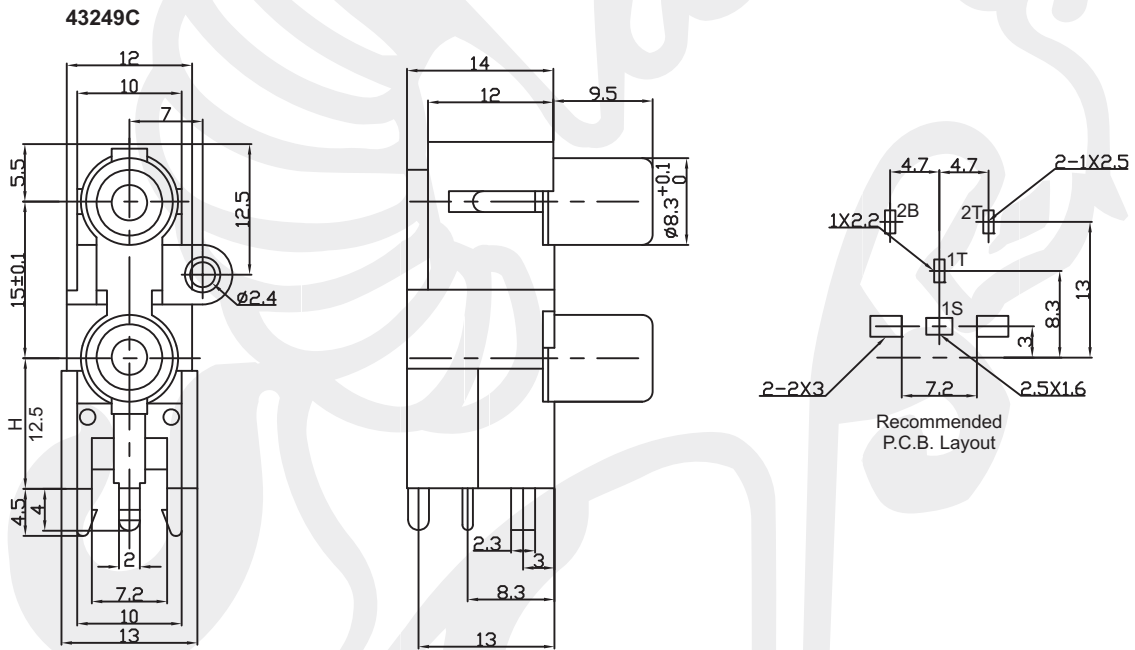
Tolerances	
Linear	<6 ± 0.1
	6-20 ± 0.2
	>20 ± 0.3



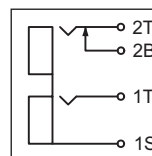
All dim. in mm

# Series 43249 2x RCA Jack / Cinch Vertical

43249C



Recommended P.C.B. Layout



Tolerances	
Linear	<6 ± 0.1
	6~20 ± 0.2
	>20 ± 0.3



This document is protected by copyright law and international treaties. Reproduction except for personal use and distribution of this document will be prosecuted to the maximum extent possible under the law. Subject to changes without prior notice. Errors and omissions excepted. Copyright by NEXUS COMPONENTS GmbH

All dim. in mm