

# 1671 Series

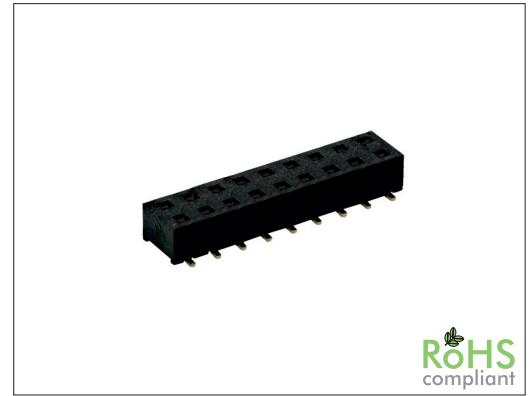
# 2.54 mm SMT Female Header Dual Row Dual Entry

## General specifications

Insulator material	Nylon 6T, UL94V-0
Contact material	Brass
Current rating	3 A
Voltage rating	250 V AC/DC
Contact resistance	20 mΩ max.
Insulator resistance	5000 MΩ min.
Dielectrical withstanding	500 VAC for 1 min
Operating temperature	-40 °C to +105 °C
Soldering	JEDEC lead free reflow soldering process

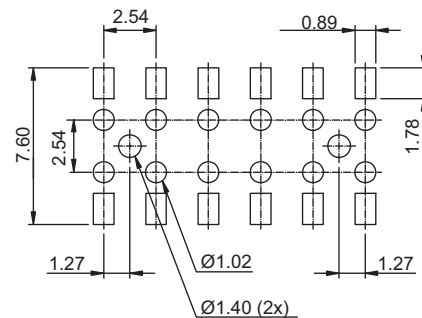
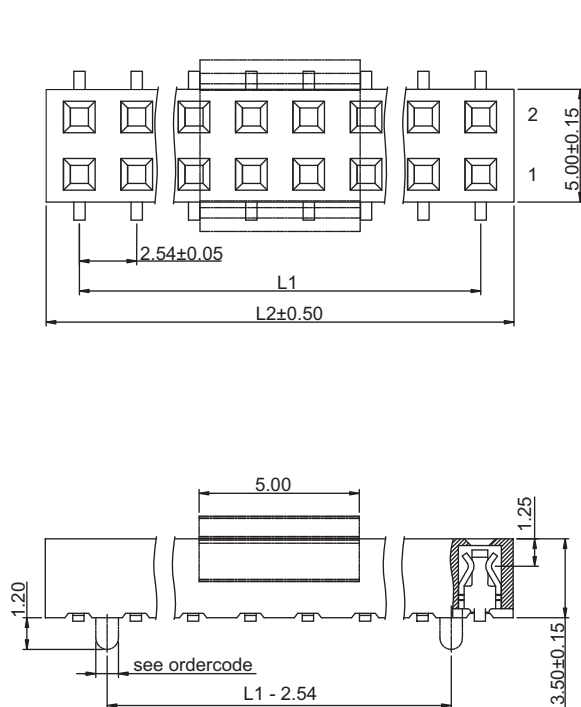
## Mating parts series

1520, 1525, 1534, 1620, 1622, 1634

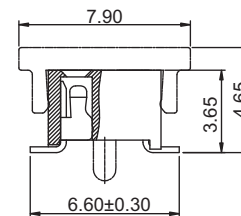


## Mechanical dimensions

Unit: mm



Recommended P.C.B. layout tolerances ±0.05



L1 = No. of contacts / 2 x 2.54 - 2.54  
L2 = No. of contacts / 2 x 2.54 + 0.40

Tolerances		
Linear	X	± 0.38
	.XX	± 0.25

## Part numbering guide

<b>1671 V</b>	<b>04</b>	<b>B</b>	<b>0</b>	<b>R</b>	
Series V = SMT vertical	No. of contacts 04 to 80	Contact plating B = Flashgold T = Tin E = 10 μ" gold F = 15 μ" gold J = 30 μ" gold	Position peg 0 = w/o peg 1 = w/ peg 1.2 mm 2 = w/ peg 1.0 mm	Packing R = Reel T = Tube	Pick and place option M = w/ mylar (leave empty for cap)

\* standard

