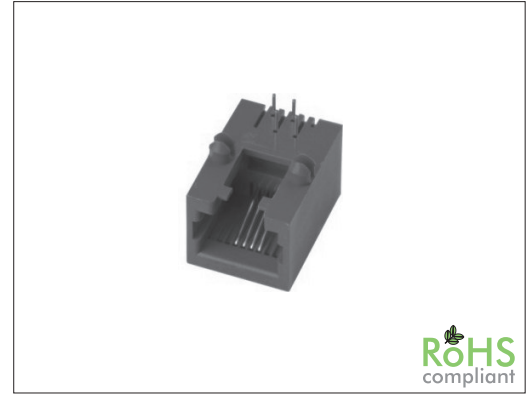


# 62326 Series RJ11 / RJ12 Side Entry

## General specifications

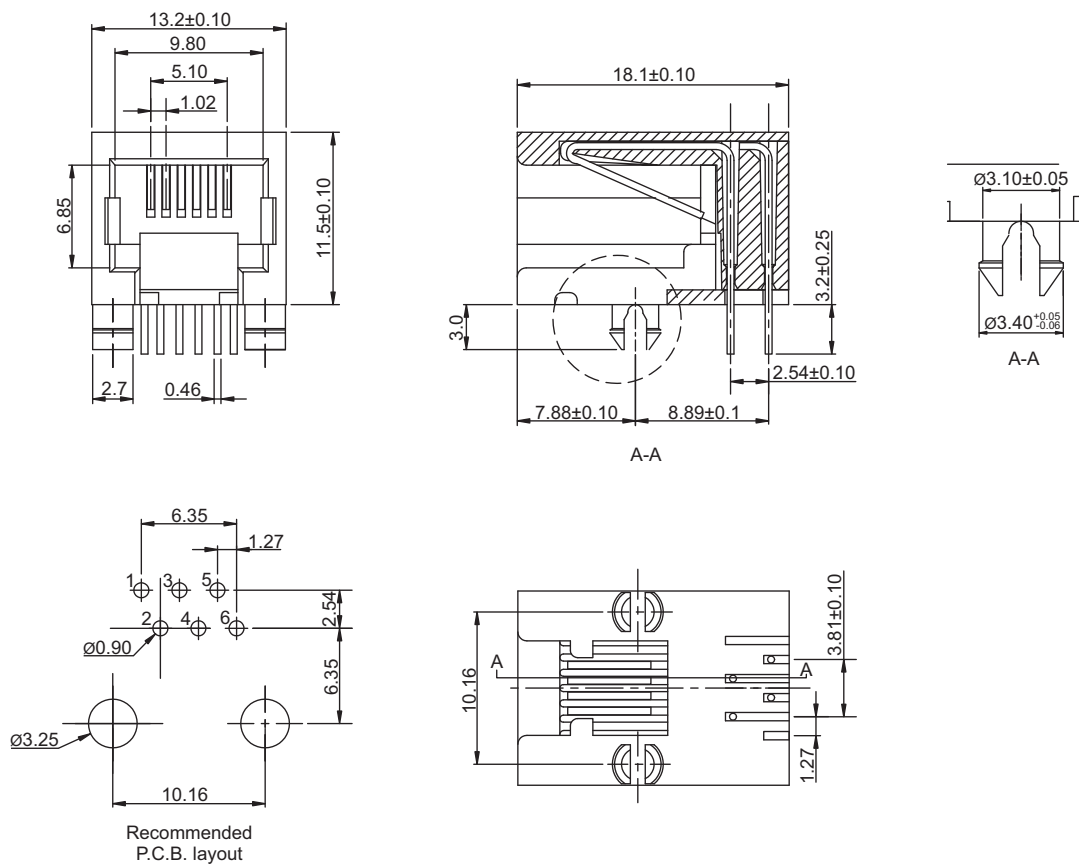
Insulator material	PBT, UL94V-0, color: black
Contact material	Phosphor bronze
Current rating	1 A
Voltage rating	125 VAC
Contact resistance	35 mΩ max.
Insulator resistance	200 MΩ min.
Dielectrical withstanding	1000 VAC for 1 min
Operating temperature	-40 °C to +85 °C
Soldering	Lead free wave soldering process
Durability	750 cycles

## Mating parts series



## Mechanical dimensions

Unit: mm



Tolerances		
Linear	X	± 0.20
	.XX	± 0.15
	.XXX	± 0.10

## Part numbering guide

<b>62326</b>	<b>C</b>	<b>6</b>
Series	Contact plating C = 3 μ" gold    K = 50 μ" gold D = 6 μ" gold F = 15 μ" gold J = 30 μ" gold	No. of contacts 4, 6

\* standard

