

4260 Series

3.5 mm Earphone Jack Vertical

General specifications

Insulator material	PBT, UL94V-0
Contact material	Phosphor bronze or brass, plating: silver
Current rating	0.5 A
Voltage rating	30 VDC
Contact resistance	30 mΩ max.
Insulator resistance	100 MΩ min.
Dielectrical withstanding	500 VAC for 1 min.
Durability	5000 cycles
Operating temperature	-40 °C to +85 °C
Soldering	Lead free wave soldering process

Mating parts series

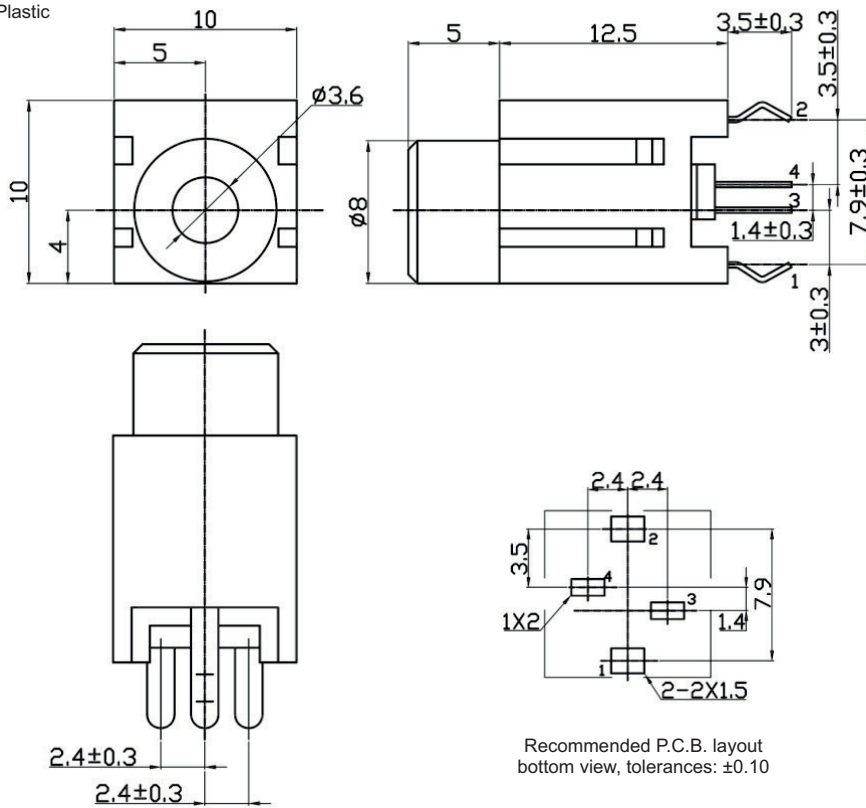


RoHS
compliant

Mechanical dimensions

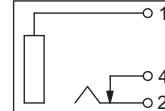
Unit: mm

4260A
all Plastic

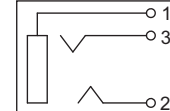


Recommended P.C.B. layout
bottom view, tolerances: ±0.10

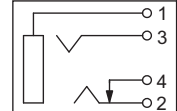
4260x3A



4260x3B



4260x04



Tolerances		
Linear	X	± 0.30
	.XX	± 0.20
	.XXX	± 0.05

Part numbering guide

4260 A

Series

3A

No. of contacts
3A, 3B, 04

B

Color
B = Black

* standard

