

49318 Series F Female Straight Straddle Type

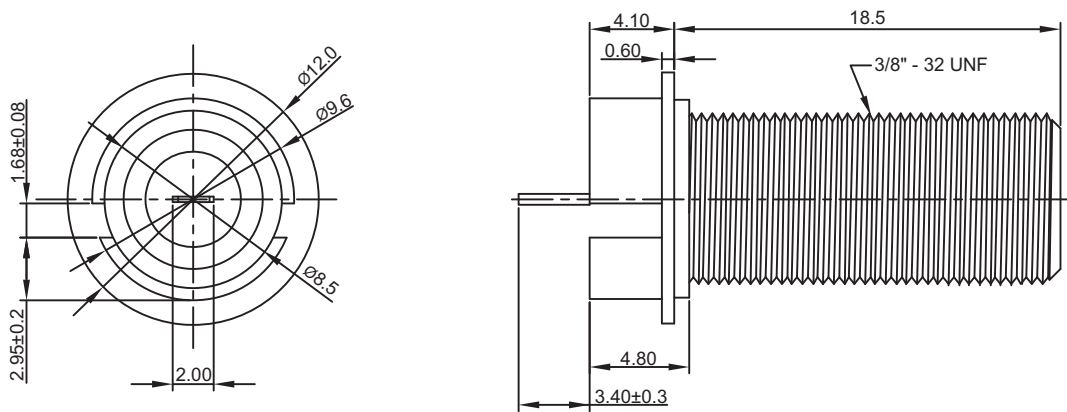
General specifications

Insulator material	Polypropylene, UL94-HB, color: natural
Center pin material	Phosphor bronze, plating: tin
Body material	Brass, plating: nickel
Impedance	75 Ω
Frequency range	0 to 1500 MHz
Contact resistance	20 m Ω max.
Insulator resistance	500 M Ω min. @ 500 VDC
Dielectrical withstanding	1200 VAC for 1 min
Soldering	Lead free wave soldering process



Mechanical dimensions

Unit: mm



Tolerances

Linear	X.	± 0.38
	.X	± 0.25
	.XX	± 0.13

Part numbering guide

49318

Series

* standard

