

2124 Series

1.25 mm MD Housing and Terminal

General specifications

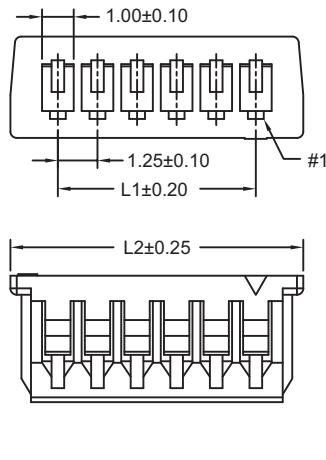
Insulator material	PBT, UL94V-0, color: natural
Contact material	Phosphor bronze
Current rating	1 A
Voltage rating	125 V AC/DC
Contact resistance	20 mΩ max.
Insulator resistance	100 MΩ min.
Dielectrical withstanding	500 VAC for 1 min
Operating temperature	-25 °C to +85 °C
Mating parts series	
2124-HV	



Mechanical dimensions

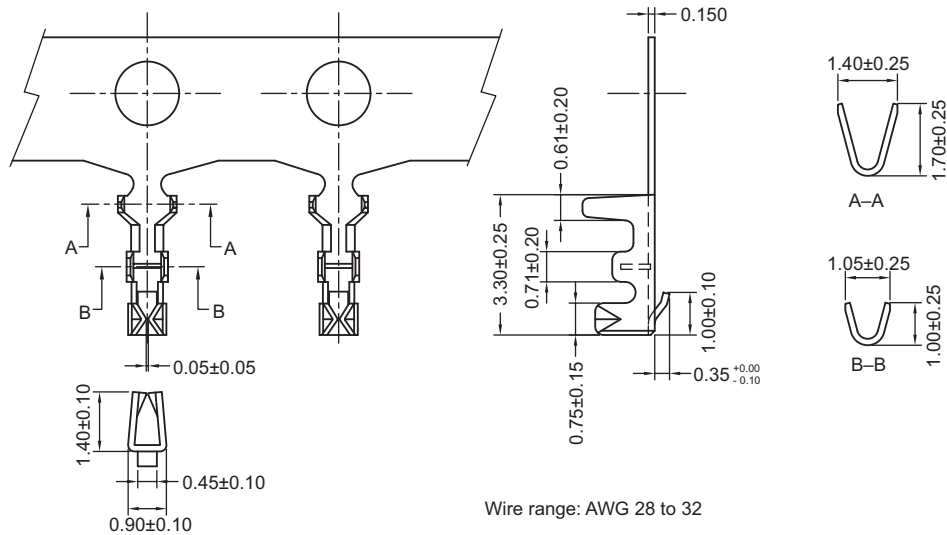
Unit: mm

2124P



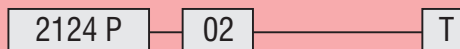
$L1 = \text{No. of contacts} \times 1.25 - 1.25$
 $L2 = L1 + 3.00$

2124T



Tolerances		
Linear	X	± 0.25
	.XX	± 0.15
	.XXX	± 0.05

Part numbering guide



Series	No. of contacts	Contact plating
P = Housing	02 to 20	T = Tin
T = Terminal	(leave blank for terminal)	B = Flashgold
		(leave blank for housing)

* standard

