

1690 Series

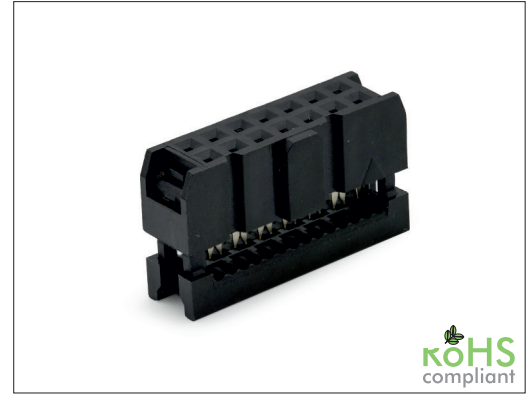
2.54 mm IDC Female Flatcable Header

General specifications

Insulator material	PBT w/ 30% glass fiber, UL94V-0
Contact material	Brass, plating: gold over nickel
Current rating	1 A
Contact resistance	30 mΩ max.
Insulator resistance	3000 MΩ min.
Dielectrical withstanding	500 VAC for 1 min
Operating temperature	-40 °C to +105 °C
Wire ranges	AWG 26 to 28

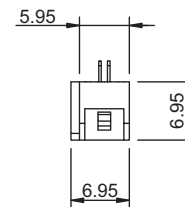
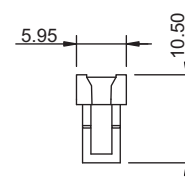
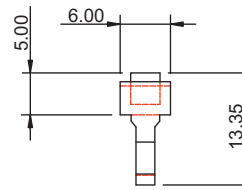
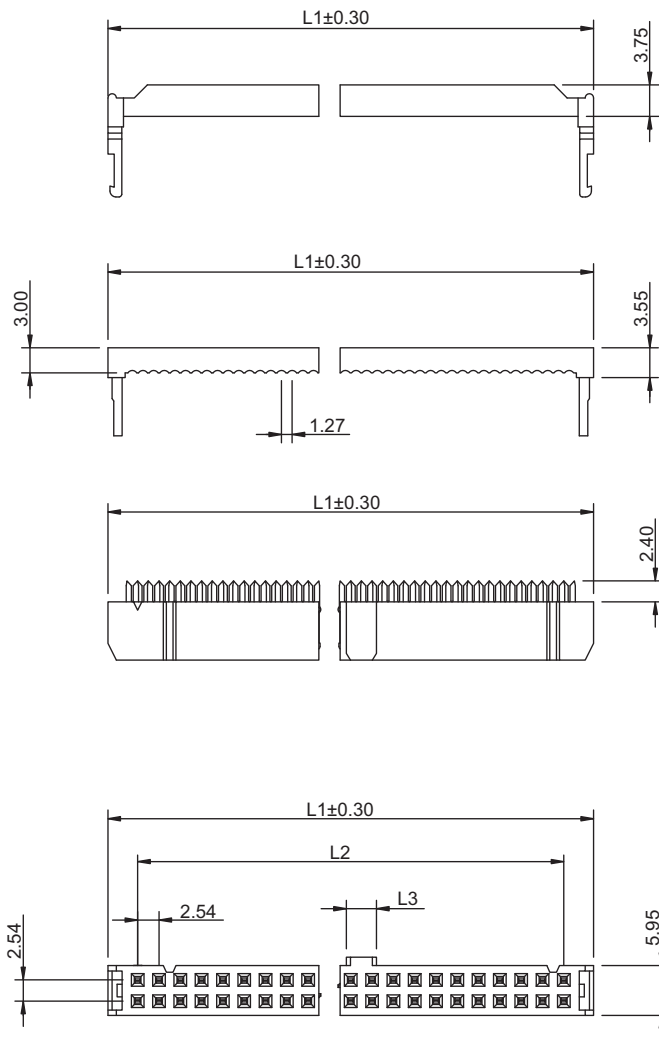
Mating parts series

1540, 1542, 1544, 1546, 1640, 1642, 1691, 1692



Mechanical dimensions

Unit: mm



$$L1 = \left(\frac{\text{No. of contacts}}{2} \right) \times 2.54 + 4.56$$

$$L2 = \left(\frac{\text{No. of contacts}}{2} - 1 \right) \times 2.54$$

$$L3 = \begin{matrix} 06, 08 \text{ pin: } 1.90 \\ 10 \text{ to } 50 \text{ pin: } 3.60 \end{matrix}$$

Tolerances		
Linear	X	± 0.30
	.XX	± 0.20

Part numbering guide

1690 I

Series
I = IDC female

06

No. of contacts
06 to 50

M

Contact plating
M = Duplex plating
flashgold/nickel*
B = Flashgold

A

Bar, strain relief
A = w/ bar, w/ strain relief
B = w/ bar, w/o strain relief

* standard

