

3837 Series

SMT USB C-Type 2x12 Pin Socket Top Entry

General specifications

Insulator material	High temperature plastic, color: black
Contact material	Copper alloy
Current rating	5 A combined at 4 VBus pin, 1.25 A at VCONN pin, 0.25 A at all other pin
Voltage rating	20 V AC/DC
Insulator resistance	100 MΩ min.
Dielectrical withstanding	100 VAC for 1 min
Operating temperature	-40 °C to +105 °C
Durability	10000 cycles
Soldering	JEDEC lead free reflow soldering process

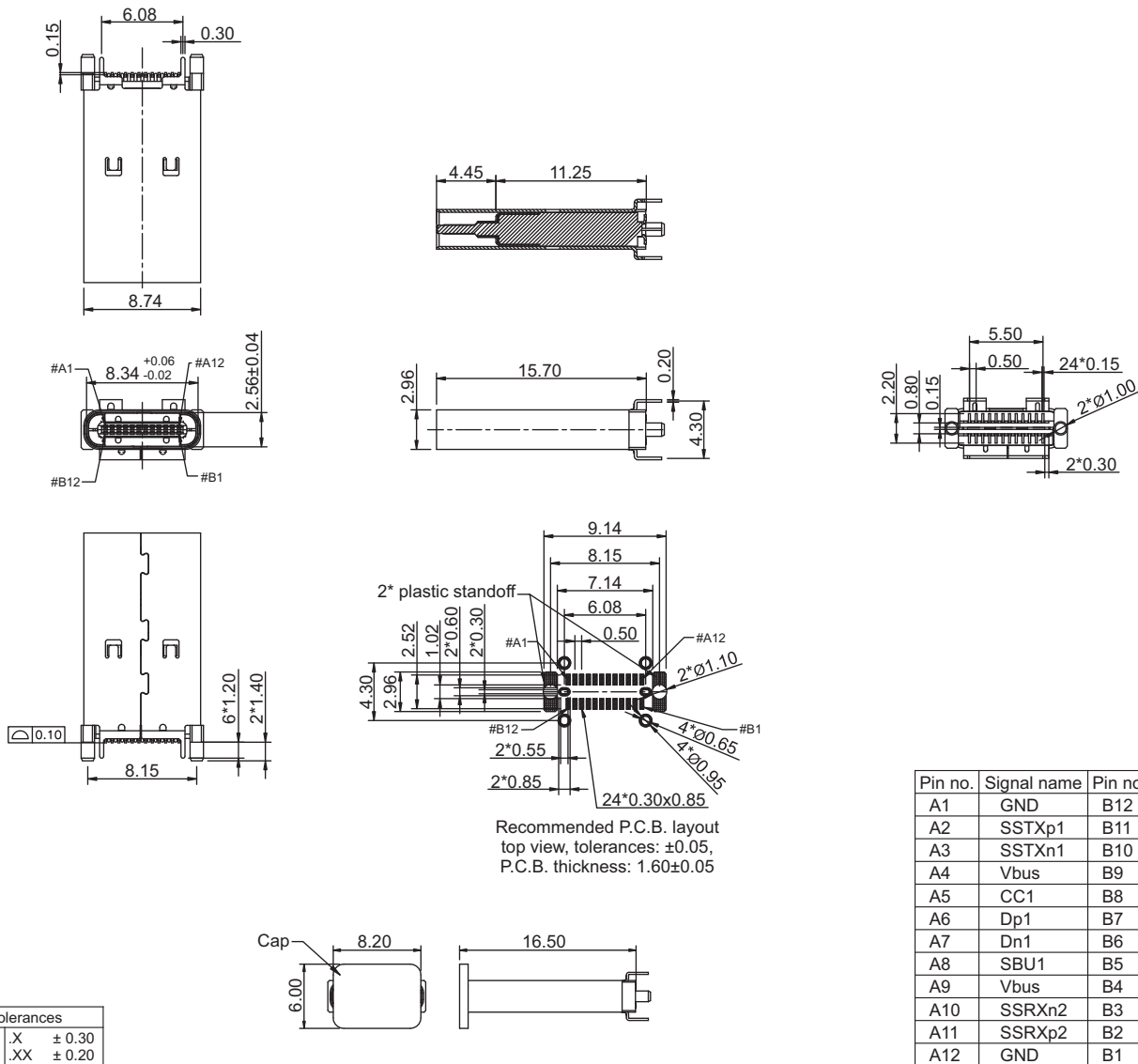
Mating parts series



RoHS
compliant

Mechanical dimensions

Unit: mm



Tolerances		
Linear	X	± 0.30
	.XX	± 0.20

Part numbering guide

3837 V	J	B	R
Series V = Vertical socket	Contact plating J = 30 μ" gold	Color B = Black	Packing R = Reel

* standard

