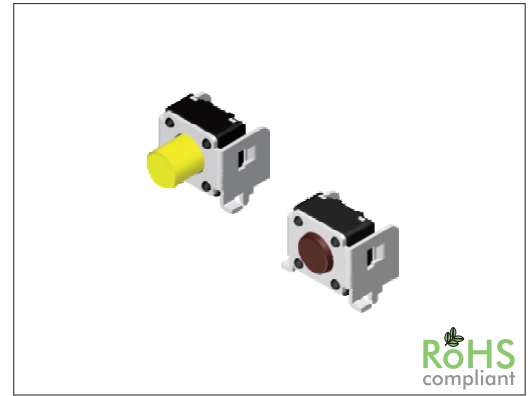


SW-DTSAM Series SMT Tactile Microswitch 6 x 6 mm Right Angle

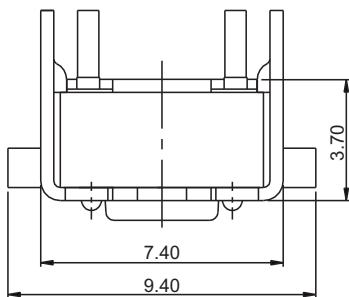
General specifications

Housing material	Nylon, UL94V-0, color: black
Actuator material	Nylon, UL94V-0
Contact material	Phosphor bronze, plating: silver
Current rating	50 mA
Voltage rating	12 VDC
Contact resistance	100 mΩ max.
Insulator resistance	100 MΩ min. @ 500 VDC
Dielectrical withstanding	250 VAC for 1 min
Operating temperature	-25 °C to +70 °C
Operating force	see table
Durability	see table
Soldering	JEDEC lead free reflow soldering process



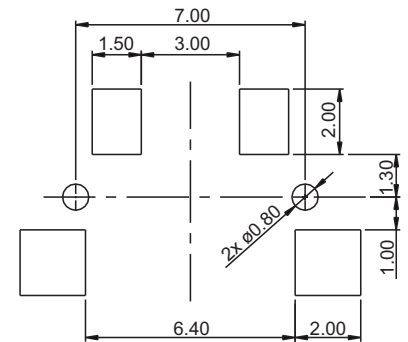
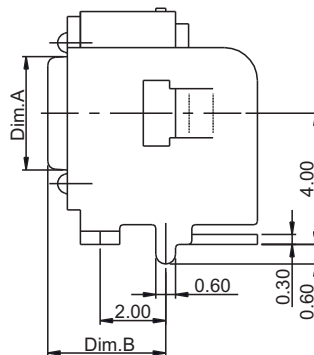
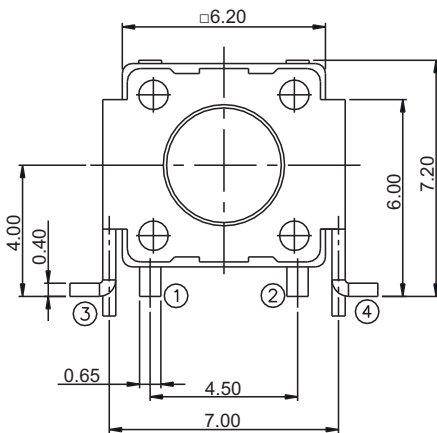
Mechanical dimensions

Unit: mm



SW-DTSAM61xx shown

SW-DTSAM64xx provide square actuator for knob extension



Recommended P.C.B. layout

Ordercode dimensions		
Index	Dim. A	Dim. B
1	ø3.50	3.60
2	ø3.50	4.30
3	ø3.50	6.30
5	ø3.50	8.80
44	□2.40	7.30

Actuator specification						
Code	Color	Operating force	Stroke	Durability Phosphor bronze dome	Durability Stainless steel dome	
K	Black	100±50 gf	0.25	200000 cycles	1000000 cycles	
N	Brown	160±50 gf	0.25	200000 cycles	1000000 cycles	
R	Red	260±50 gf	0.25	100000 cycles	500000 cycles	
S	Salmon	320±80 gf	0.25	50000 cycles	300000 cycles	
Y	Yellow	520±130 gf	0.25	50000 cycles	300000 cycles	

Tolerances	
Linear	± 0.20

Part numbering guide

SW-DTSAM	6	1	K		Q	TR
Series	Size 6 = 6 x 6 mm	Dimensions see table	Actuator specification see table (Salmon and yellow not available for halogen free)	Dome S = Stainless steel (leave empty for phosphor bronze)	Material Q = Halogen free	Packing TR = Reel

* standard

