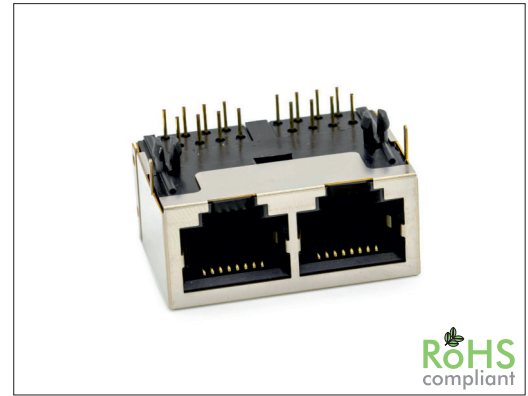


# 64720 Series Dual Port RJ45 8P Side Entry Shielded

## General specifications

Insulator material	PBT w/ glass fiber , UL94V-0, color: black
Contact material	Phosphor bronze
Current rating	1.0 A
Voltage rating	150 VAC
Contact resistance	50 mΩ max.
Insulator resistance	200 MΩ min.
Dielectrical withstanding	1000 VAC for 1 min
Operating temperature	-40 °C to +85 °C
Soldering	Lead free wave soldering process
Durability	750 cycles

## Mating parts series

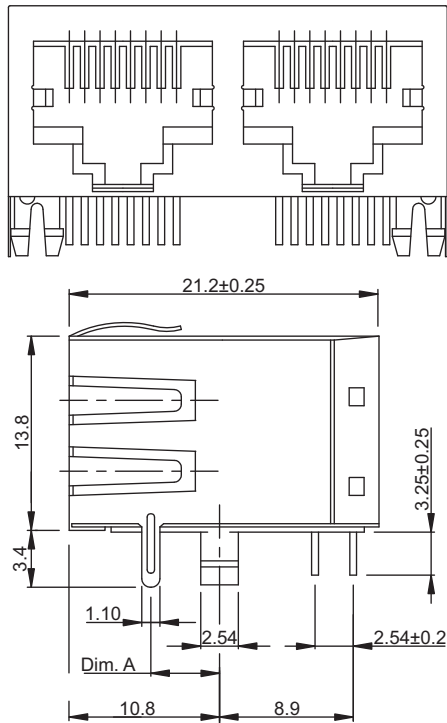


RoHS  
compliant

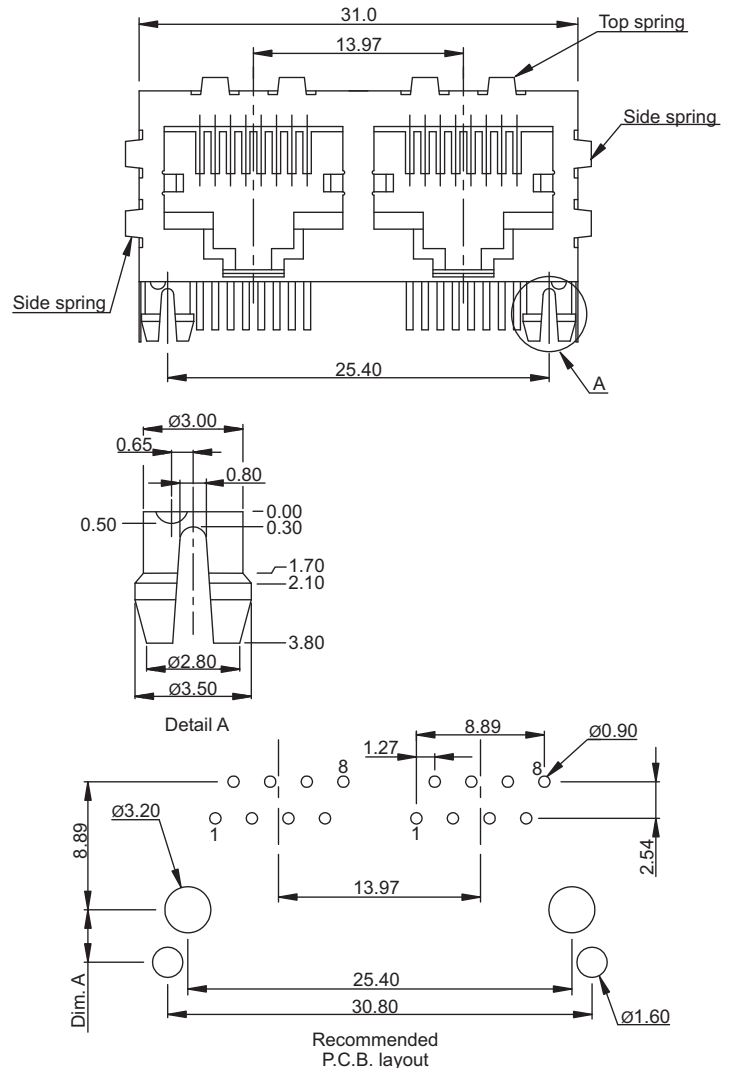
## Mechanical dimensions

Unit: mm

### w/o springs



### w/ springs



Tolerances		
Linear	X	± 0.25
	.XX	± 0.13
	.XXX	± 0.05

## Part numbering guide

64720 — C — A — 0

Series

Contact plating

C = 3 μ<sup>st</sup> gold

D = 6 μ<sup>st</sup> gold

F = 15 μ<sup>st</sup> gold

J = 30 μ<sup>st</sup> gold

K = 50 μ<sup>st</sup> gold

Dim. A

A = 4.57 mm

B = 3.65 mm

C = 3.05 mm

Ground springs

0 = w/o springs

1 = w/ top springs

2 = w/ side springs

3 = w/ top and side springs

\* standard

