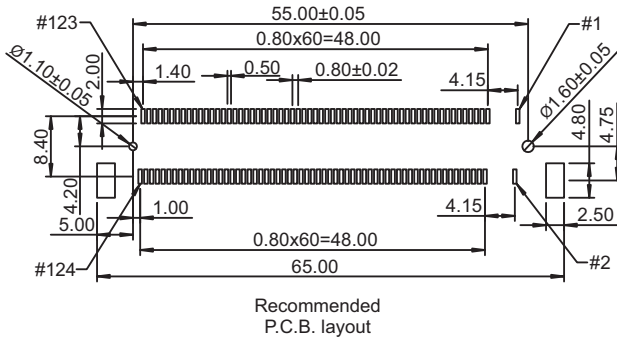
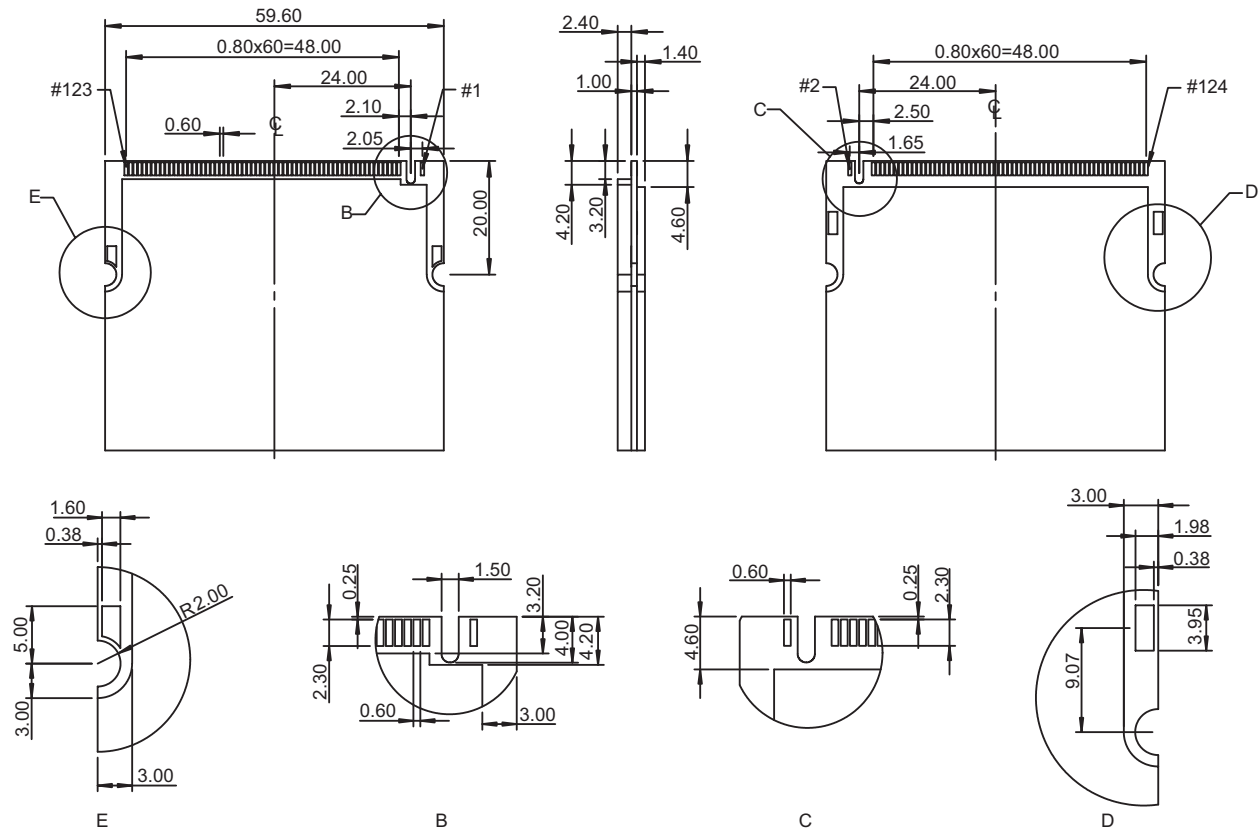


Mechanical dimensions

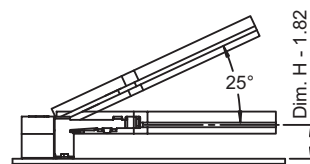
Unit: mm



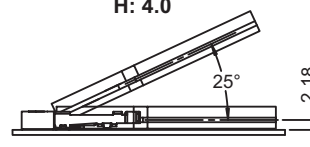
Example of Mini PCI Extension Board



H: 5.2 to 9.2



H: 4.0



Tolerances		
Linear	X.	± 0.30
	.X	± 0.20
	.XX	± 0.10
	.XXX	± 0.05

