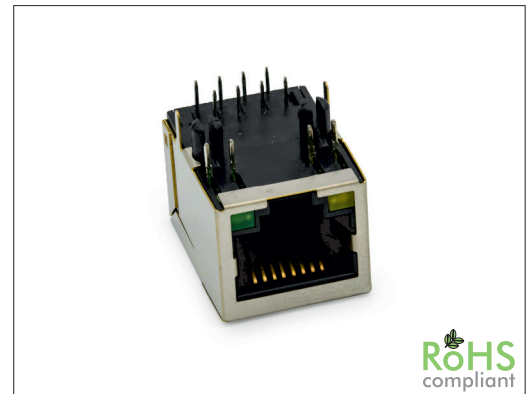


69313 Series RJ45 10/100 BASE-T w/ LED

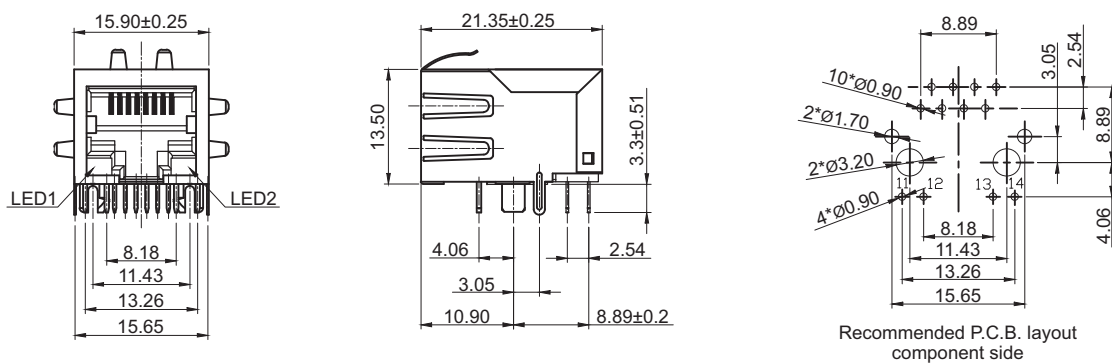
General specifications	
Insulator material	High temperature plastic, UL94V-0
Contact material	Phosphor bronze
Contact plating	Gold over nickel
Shield material	Brass, plating nickel
Insulator resistance	1000 M Ω min.
Dielectrical withstanding	1500 VAC for 1 min
Durability	750 cycles
Operation temperature	-40 °C to +85 °C
Complies with	IEEE 802.3u
Soldering	Lead free wave soldering process
Mating parts series	



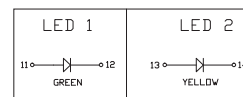
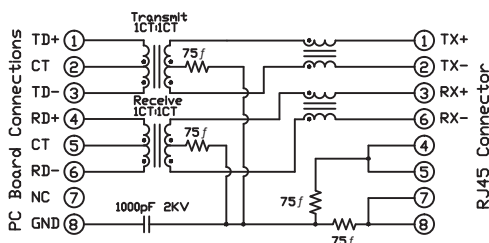
RoHS compliant

Mechanical dimensions

Unit: mm



Schematic: 61



Turns ratio	Inductance	Insertion loss	Return loss		Cross talk	Common mode
			1 - 100 MHz	1 - 30 MHz		
1:1	350 μ H min. @ 0.1 V, 100 KHz, 8 mA DC Bias	-1.1 dB max.	-18 dB min.	-16 dB min.	-12 dB min.	-30 dB min.

Tolerances		
Linear	X	± 0.20
	.XX	± 0.15
	.XXX	± 0.10

Note: other schematics and LED polarity on customer request

Part numbering guide

69313	C	61	G	Y	0
Series	Contact plating C = 3 μ " gold K = 50 μ " gold D = 6 μ " gold F = 15 μ " gold J = 30 μ " gold	Schematics 61 others on request	Color LED1 N = w/o LED D = Green/yellow G = Green Y = Yellow	Color LED2	Ground spring 0 = w/o spring 1 = Top spring 2 = Side spring 3 = Top and side spring

* standard

