

5960 Series

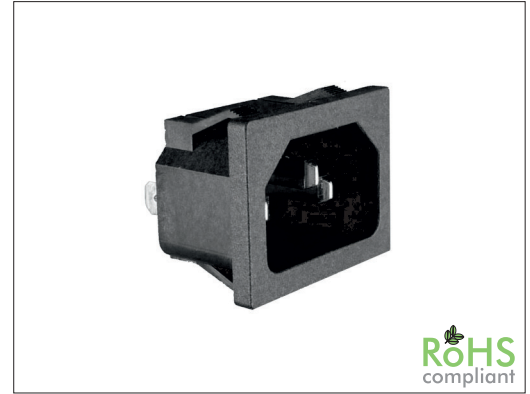
AC Inlet Socket Wire Solder Type Snap-In

General specifications

Insulator material	Thermoplastic, UL94V-0 to UL94V-2
Current rating	10 A
Voltage rating	250 VAC
Insulator resistance	100 MΩ min. @ 500 VDC
Dielectrical withstanding	2000 VAC for 1 min
Operation temperature	-25 °C to +85 °C
Soldering	Lead free soldering process

Safety approvals available, certificates on request

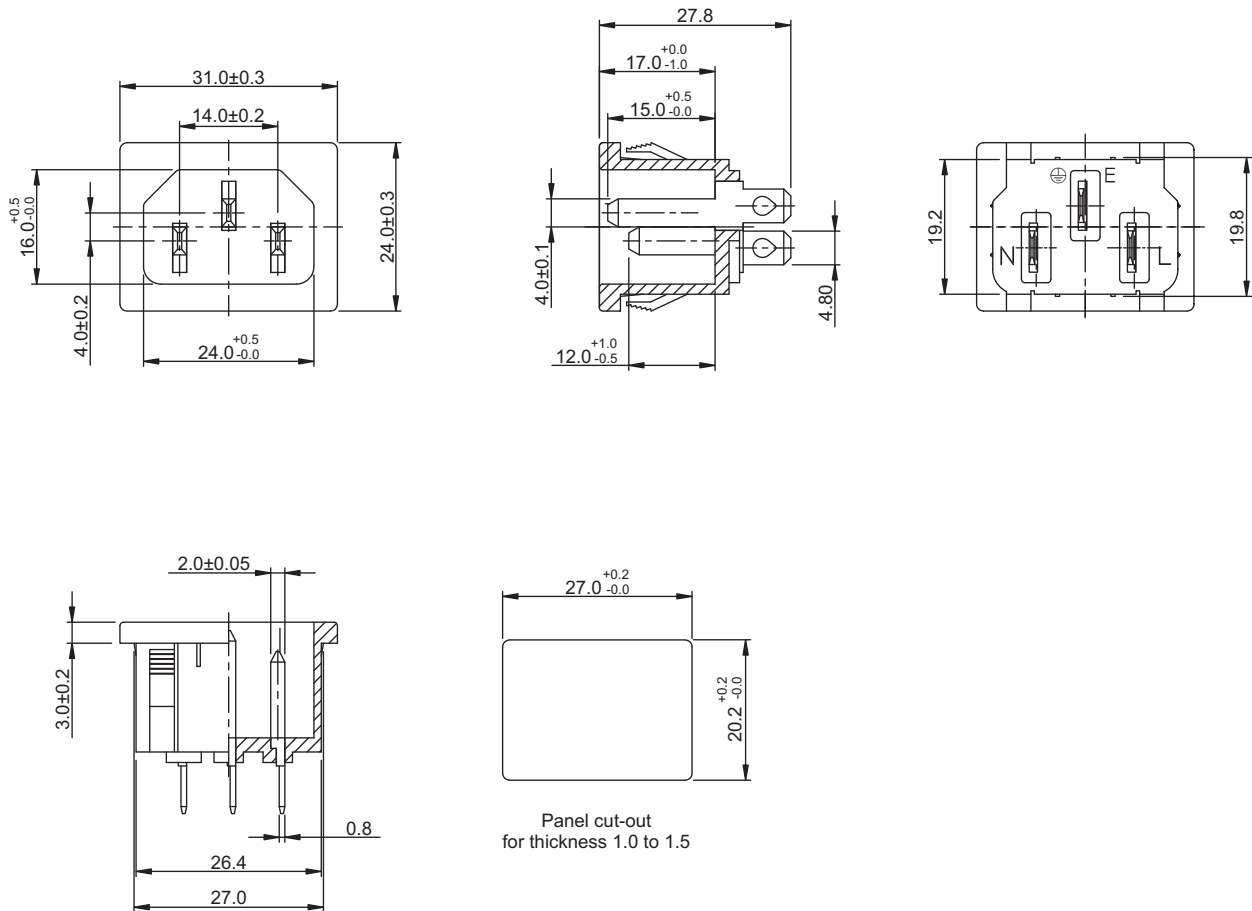
Mating parts series



RoHS
compliant

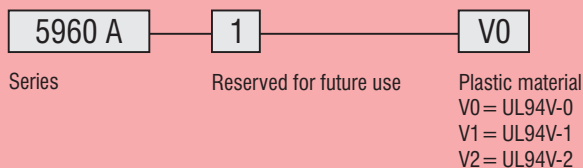
Mechanical dimensions

Unit: mm



Tolerances	
Linear	X.X ± 0.10
	XX.X ± 0.20

Part numbering guide



* standard

