

49012 Series SSMA Jack Straight

General specifications

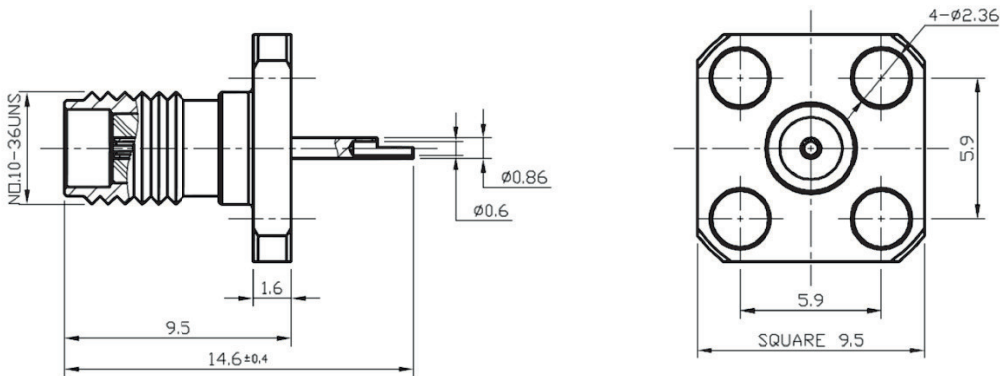
Insulator material	Teflon
Body material	Brass, plating: gold
Center contact material	Beryllium copper, plating: gold
Contact resistance	Center: 6 mΩ max., outer: 2.5 mΩ max.
Insulator resistance	1000 MΩ min.
Dielectrical withstanding	750 VAC for 1 min.
Impedance / Frequency range	50 Ω / 0 to 18 GHz
VSWR	1.2 + 0.033 F (GHz) max.
Operating temperature	-55 °C to +105 °C
Durability	500 cycles

Mating parts series



Mechanical dimensions

Unit: mm



Tolerances	
Linear	< 6 ± 0.20
	6 to 30 ± 0.40
	> 30 ± 0.60

Part numbering guide

49012

Series

* standard

