

# Serie CA0009

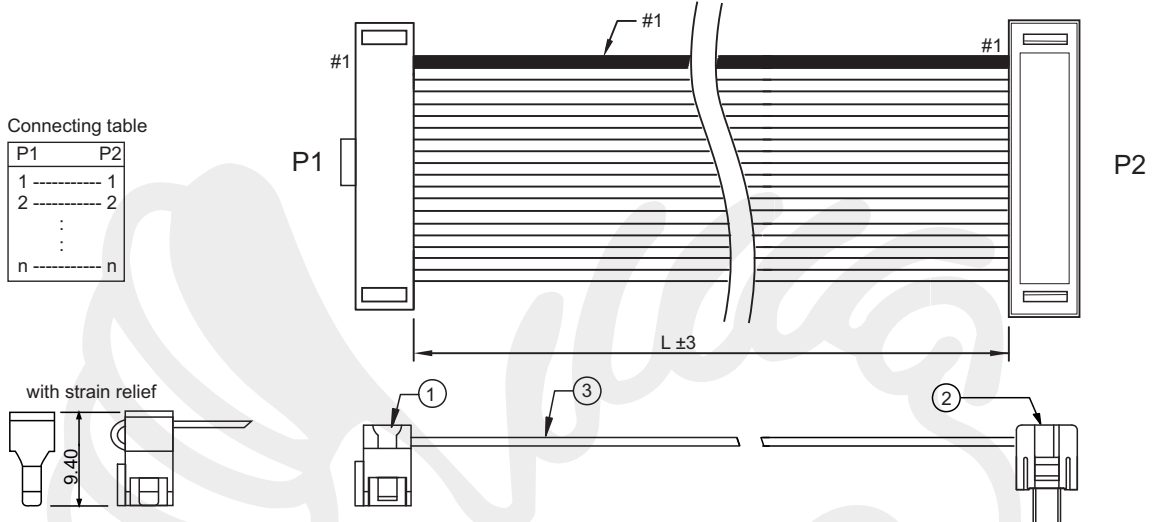
## Flatcable w/ 2.00mm IDC Female Header and THT plug

Item	Description	Qty
1	2.00mm IDC female flatcable header, xx-pin, NEXUS 1490lxxMx	1
2	2.00mm IDC THT male plug, xx-pin, NEXUS 1494KxxM	1
3	Flatcable pitch 1.00mm, UL2651 AWG #26/28, length see spec.	1

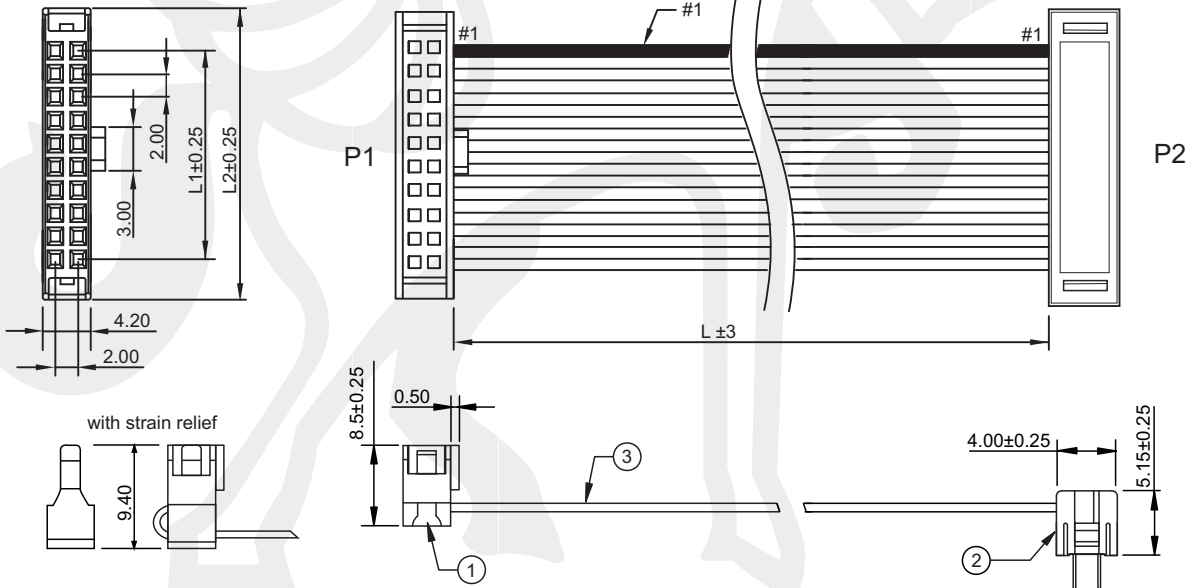
### CA0009A

Connecting table

P1	P2
1	1
2	2
...	...
n	n



### CA0009B



$$L1 = \left( \frac{\text{No. of contacts}}{2} - 1 \right) \times 2.00$$

$$L2 = \left( \frac{\text{No. of contacts}}{2} \right) \times 2.00 + 5.10$$

Tolerances	
Linear	X. ± 0.30
	.X ± 0.25
	.XX ± 0.20



All dim. in mm

<b>CA0009</b>	<b>A</b>	<b>B</b>	<b>20</b>	<b>050</b>
Type	Header Type P1		No. of contacts	Length L
A = Type A	A = with bar & strain relief		06 ~ 68	i.e. 050 = 50mm
B = Type B	B = with bar, w/o strain relief			