

# 2254 Series

# 2.50 mm Housing and Terminal

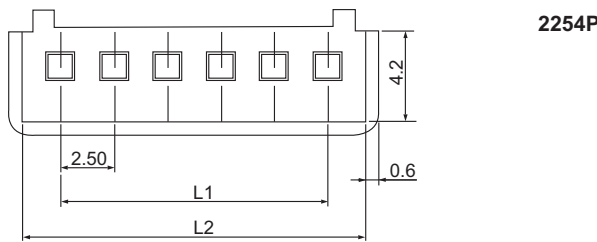
### General specifications

Insulator material	Nylon 66, UL94V-2, color: natural
Contact material	Phosphor bronze, plating: tin
Current rating	2 A
Volage rating	250 V AC/DC
Contact resistance	20 mΩ max.
Insulator resistance	1000 MΩ min.
Dielectrical withstanding	1000 VAC for 1 min
Operating temperature	-25 °C to +85 °C
<b>Mating parts series</b>	
2254-SR	

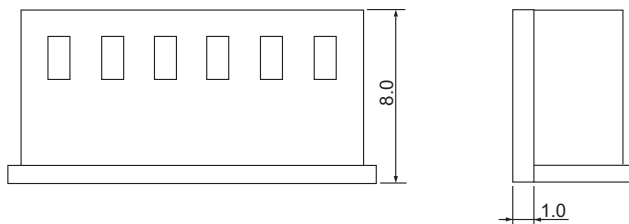


### Mechanical dimensions

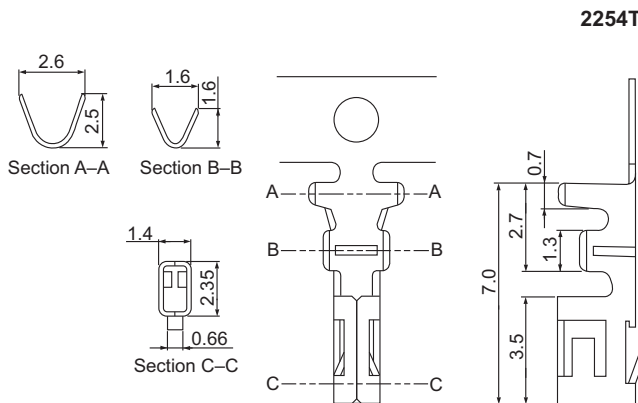
Unit: mm



2254P



L1 = No. of contacts x 2.50 - 2.50  
L2 = No. of contacts x 2.50 + 1.00



2254T

Wire range: AWG 22 to 28

Tolerances	
Linear	X ± 0.38
	.XX ± 0.25

### Part numbering guide

2254 P — 02

Series  
P = Housing  
T = Terminal

No. of contacts  
02 to 12  
(leave blank for terminal)

\* standard

