

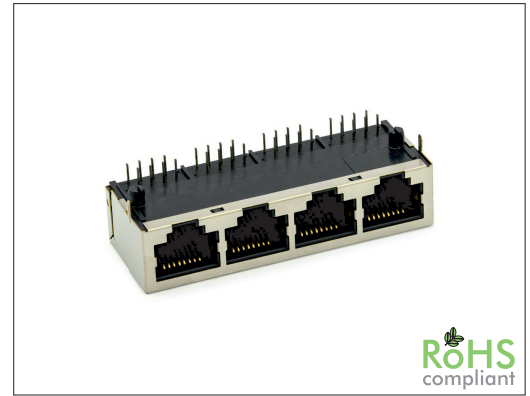
6491X Series

Multiport RJ45 8P Side Entry Shielded

General specifications

Insulator material	PBT w/ glass fiber , UL94V-0, color: black
Contact material	Phosphor bronze
Current rating	1.0 A
Voltage rating	150 VAC
Contact resistance	50 mΩ max.
Insulator resistance	200 MΩ min.
Dielectrical withstanding	1000 VAC for 1 min
Operating temperature	-40 °C to +85 °C
Soldering	Lead free wave soldering process
Durability	750 cycles

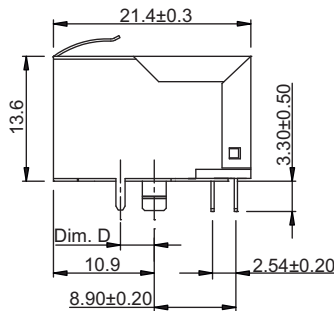
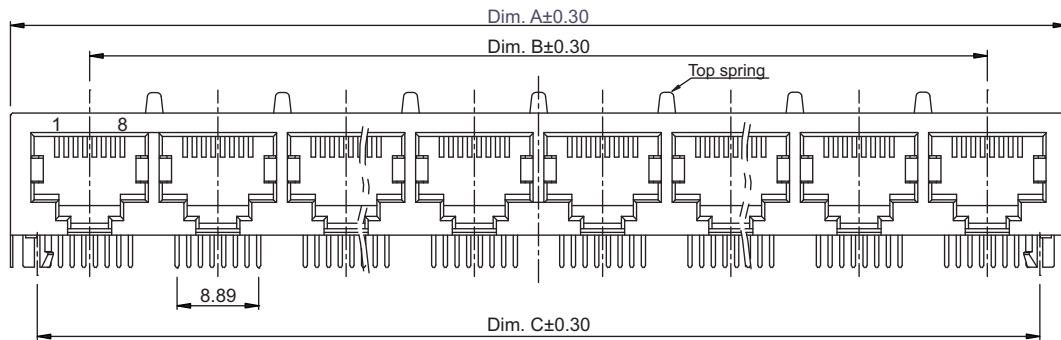
Mating parts series



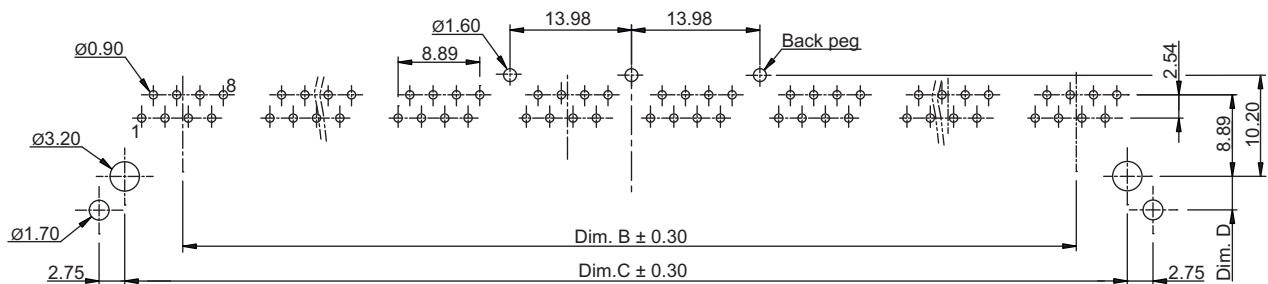
RoHS
compliant

Mechanical dimensions

Unit: mm



Ports	Dim. A	Dim. B	Dim. C
2	31.14	13.98	25.38
3	45.12	27.96	39.36
4	59.10	41.94	53.34
5	73.08	55.92	67.32
6	87.06	69.90	81.30
8	115.02	97.86	109.26



Recommended
P.C.B. layout

Tolerances		
Linear	X	± 0.20
	.XX	± 0.15
	.XXX	± 0.10

Part numbering guide

6491	B	C	A	0	0
Series	Ports B = 2 F = 6 C = 3 H = 8 D = 4 E = 5	Contact plating C = 3 μ" gold D = 6 μ" gold F = 15 μ" gold J = 30 μ" gold	Dim. D A = 4.57 mm B = 3.68 mm	Ground springs 0 = w/o springs 1 = w/ top springs	Back pegs 0 = w/o pegs 1 = w/ 1 peg 3 = w/ 3 pegs

* standard

