

# 49040 Series

# Adapter SSMA Jack to SMA Jack

### General specifications

Insulator material	Teflon
Body material	Brass, plating: 3 $\mu$ " gold
Center contact material	Beryllium copper, plating: 30 $\mu$ " gold
Crimp ferrules	Annealed brass, plating: 3 $\mu$ " gold
Contact resistance	Center: 6 m $\Omega$ max., outer: 2.5 m $\Omega$ max.
Insulator resistance	1000 M $\Omega$ min.
Impedance	50 $\Omega$
Frequency range	0 to 18 GHz
Operating temperature	-55 °C to +105 °C
Durability	500 cycles

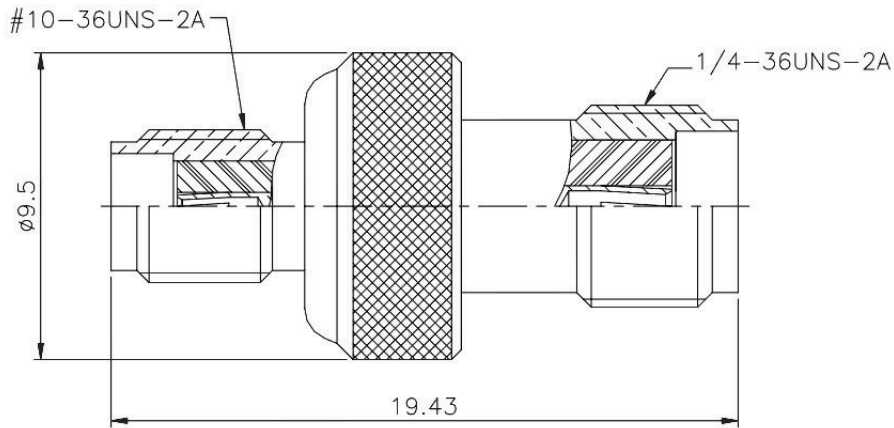
### Mating parts series



RoHS  
compliant

### Mechanical dimensions

Unit: mm



Tolerances		
Linear	< 6	$\pm 0.20$
	6 to 30	$\pm 0.40$
	> 30	$\pm 0.60$

### Part numbering guide

49040

Series

\* standard

