

# 49186 Series Adapter BNC Jack to F Plug

## General specifications

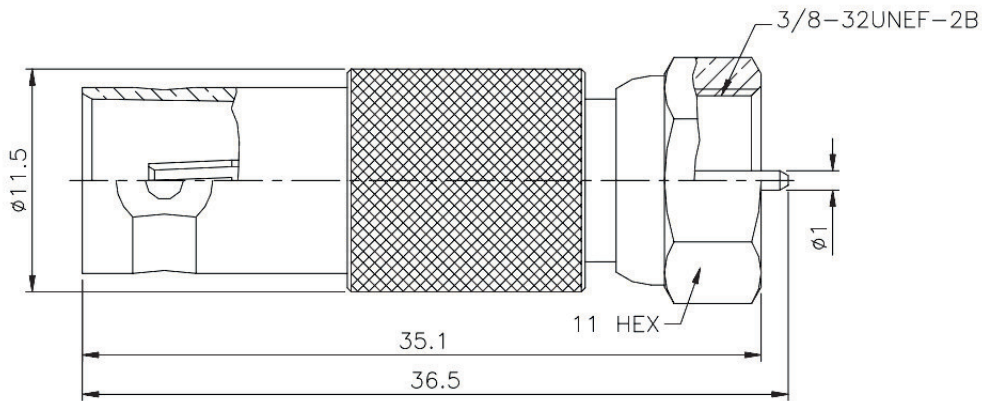
Insulator material	Teflon, Delrin
Body material	Brass, plating: nickel
Center contact material	Brass or phosphor bronze, plating: 3 μ" gold
Contact resistance	Center: 8 mΩ max., outer: 5 mΩ max.
Insulator resistance	1000 MΩ min.
Impedance	75 Ω
Frequency range	0 to 1 GHz
Operating temperature	-55 °C to +105 °C
Durability	500 cycles

## Mating parts series



## Mechanical dimensions

Unit: mm



### Tolerances

Linear	< 6	± 0.20
	6 to 30	± 0.40
	> 30	± 0.60

## Part numbering guide

49186

Series

\* standard

