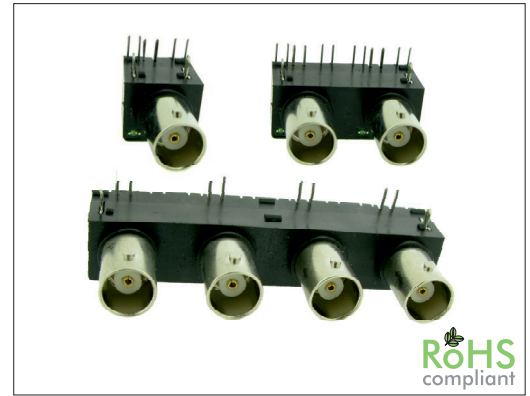


# 49124 Series Multiport BNC Female Right Angle

## General specifications

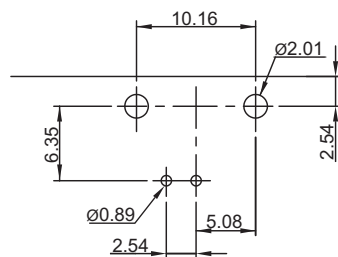
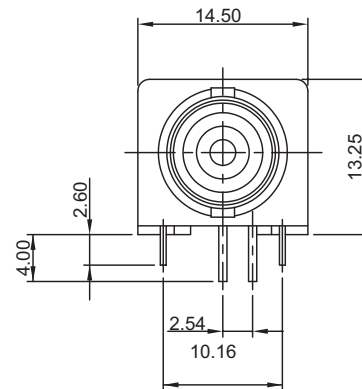
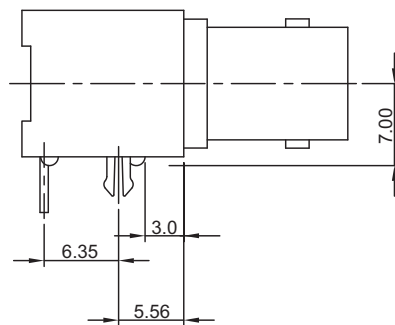
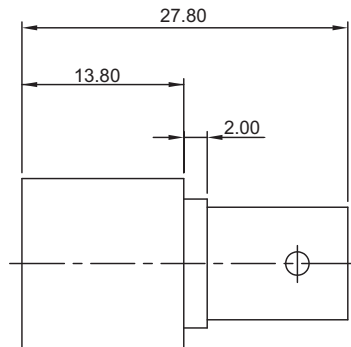
Insulator material	Polypropylene, UL94-HB
Housing material	PBT w/ glass fiber, UL94V-0
Mounting material	Brass, plating: tin
Contact material	Phosphor bronze, plating: gold
Body material	Zinc alloy, plating: nickel
Frequency range	0 to 1 GHz
Contact resistance	3 mΩ max.
Insulator resistance	5000 MΩ min.
Dielectrical withstanding	1500 VAC for 1 min
Operating temperature	-65 °C to +165 °C
Durability	500 cycles
Soldering	Lead free wave soldering process



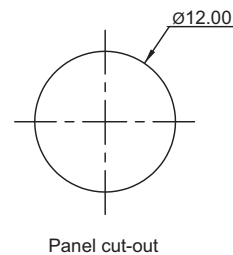
## Mechanical dimensions

Unit: mm

49124A



Recommended P.C.B. layout



Panel cut-out

Tolerances	
Linear	.X ± 0.30
	.XX ± 0.10

continued on page 2

## Part numbering guide

49124	A	50
Series	No. of ports	Impedance
	A = 1 port	50 = 50 Ω
	B = 2 ports	75 = 75 Ω
	D = 4 ports	

\* standard

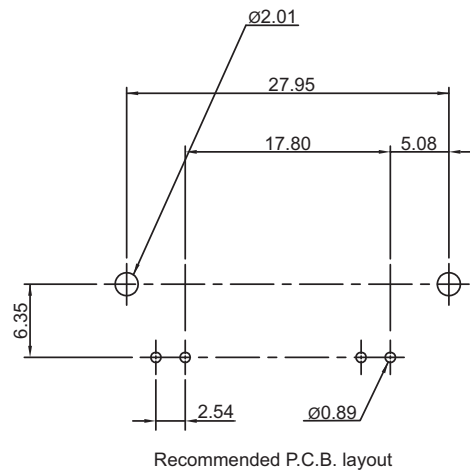
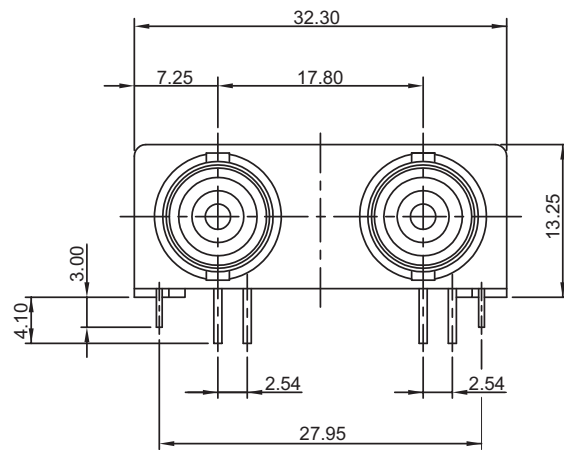
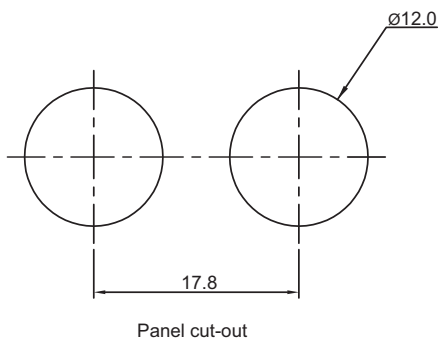
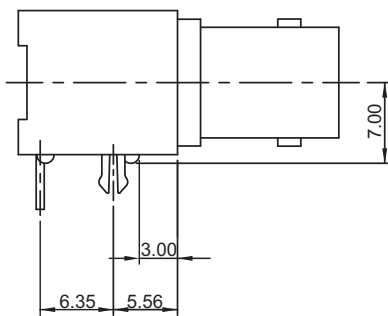
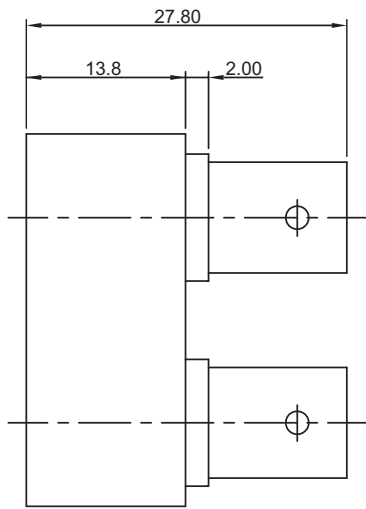


# 49124 Series Multiport BNC Female Right Angle

## Mechanical dimensions

Unit: mm

49124B



Tolerances		
Linear	.X	$\pm 0.30$
	.XX	$\pm 0.10$

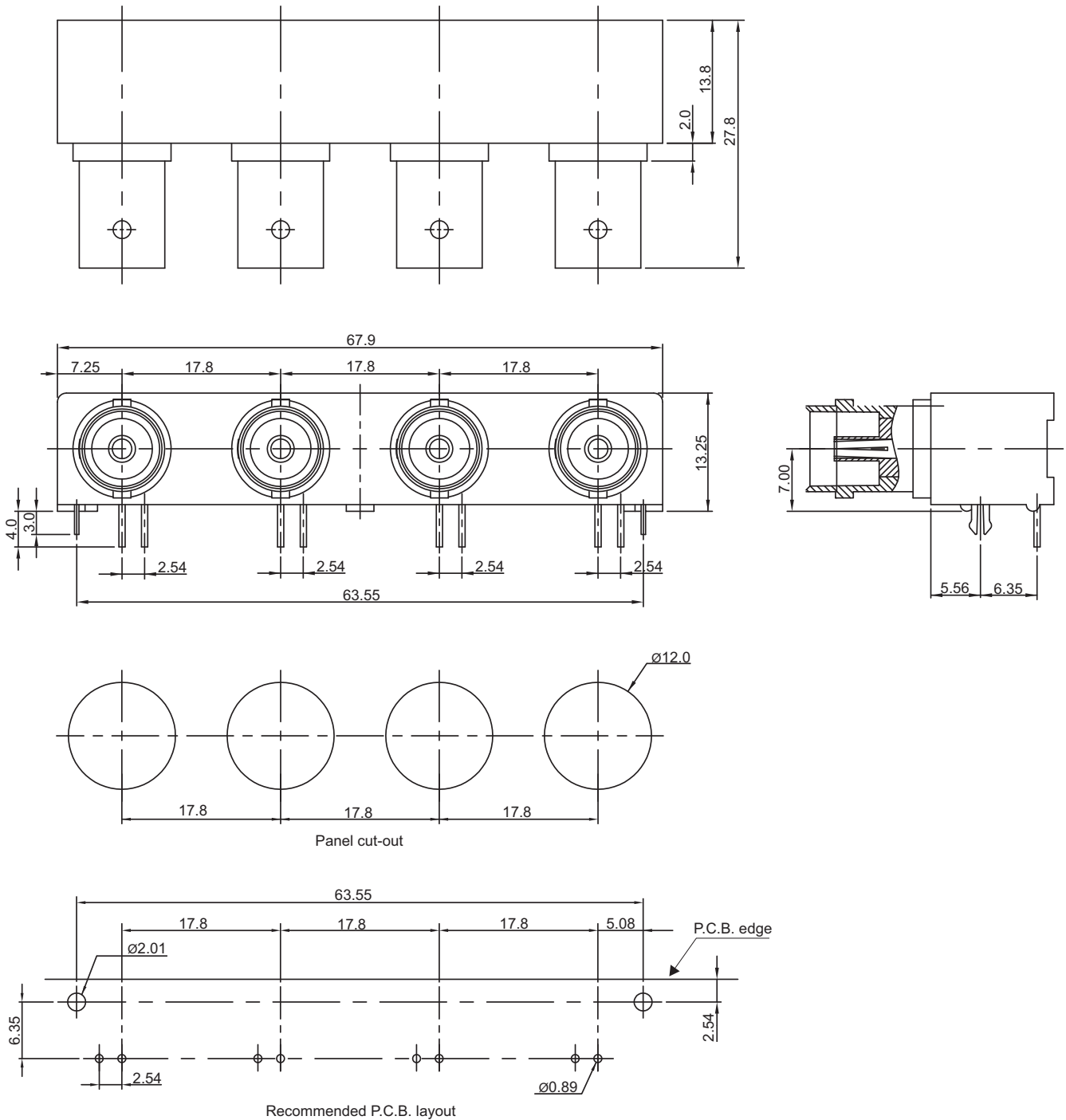
continued on page 3



## Mechanical dimensions

Unit: mm

49124B



Tolerances		
Linear	.X	$\pm 0.30$
	.XX	$\pm 0.10$

