

2124 Series

1.25 mm Housing and Terminal

General specifications

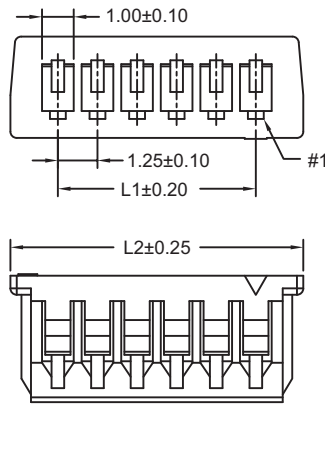
Insulator material	PBT, UL94V-0, color: natural
Contact material	Phosphor bronze
Current rating	1 A
Voltage rating	125 V AC/DC
Contact resistance	20 mΩ max.
Insulator resistance	100 MΩ min.
Dielectrical withstanding	500 VAC for 1 min
Operating temperature	-25 °C to +85 °C
Mating parts series	
2124-HV	



Mechanical dimensions

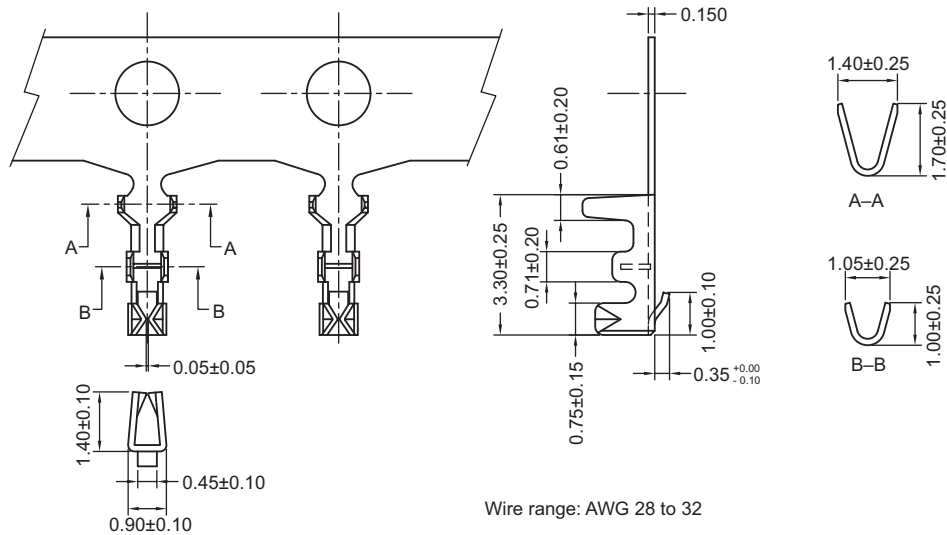
Unit: mm

2124P



L1 = No. of contacts x 1.25 - 1.25
L2 = L1 + 3.00

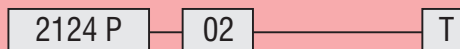
2124T



Wire range: AWG 28 to 32

Tolerances		
Linear	X	± 0.25
	.XX	± 0.15
	.XXX	± 0.05

Part numbering guide



Series
P = Housing
T = Terminal

No. of contacts
02 to 20
(leave blank for terminal)

Contact plating
T = Tin
B = Flashgold
(leave blank for housing)

* standard

