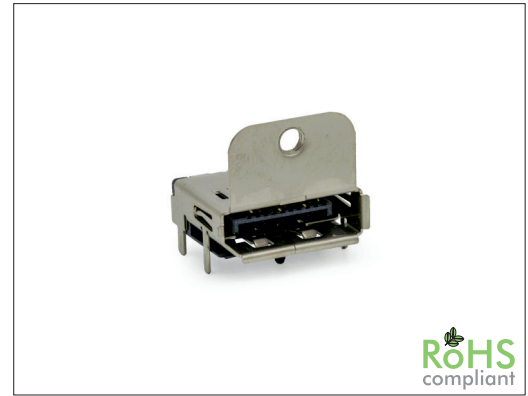


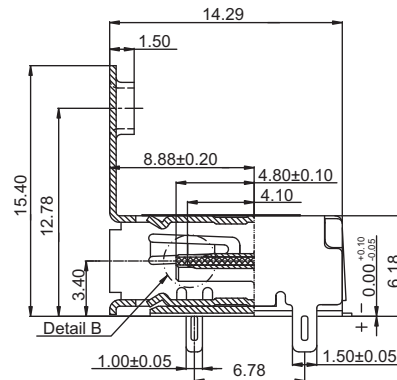
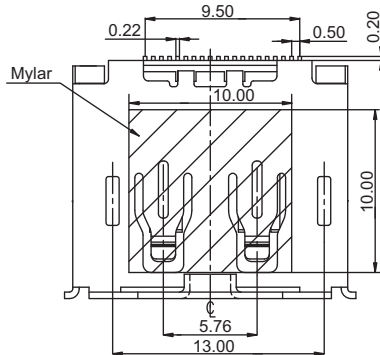
General specifications	
Insulator material	LCP w/ 50% glass fiber, UL94V-0
Contact material	Brass, plating: gold
Current rating	0.5 A
Voltage rating	40 VAC max.
Contact resistance	30 mΩ max.
Insulator resistance	100 MΩ min.
Dielectrical withstanding	500 VAC for 1 min
Operating temperature	-20 °C to +85 °C
Soldering	JEDEC lead free reflow soldering process
Mating parts series	



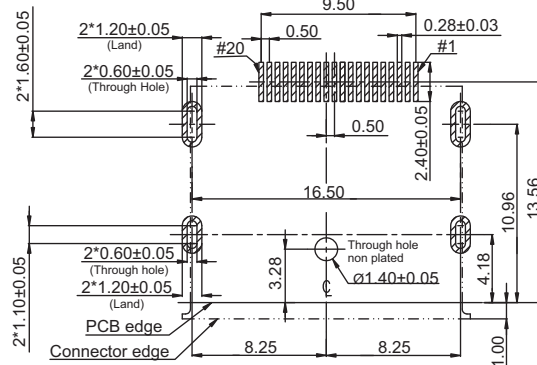
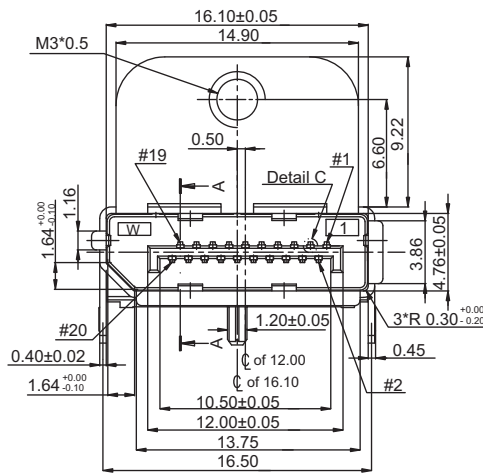
Mechanical dimensions

Unit: mm

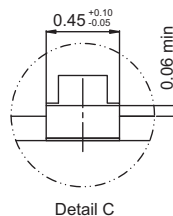
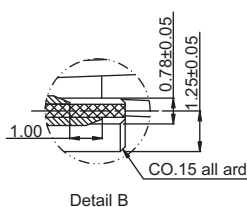
Type A



Section A-A



Recommended P.C.B layout (T=1.60) component side



Tolerances		
Linear	X	± 0.38
	XX	± 0.25
	XXX	± 0.20

continued on page 2

Part numbering guide

3662

F

A

R

Series

Contact plating
F = 15 μm gold
J = 30 μm gold

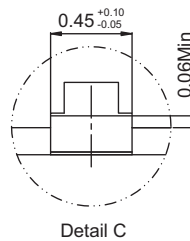
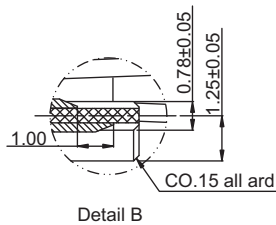
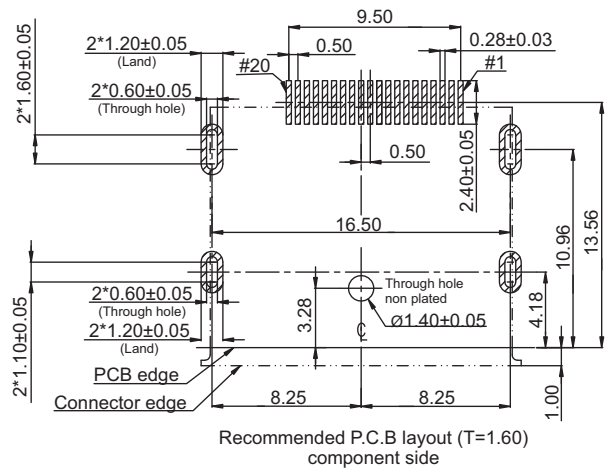
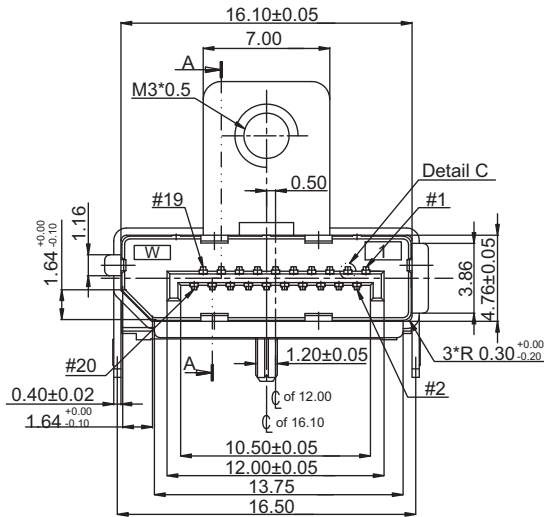
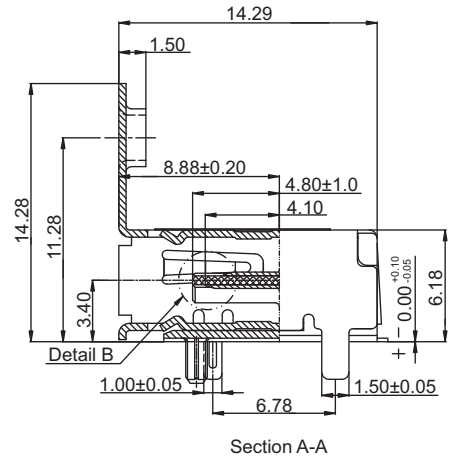
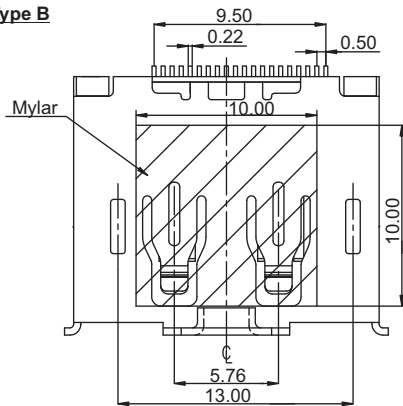
Top flange
A = Type A
B = Type B
C = Type C

Packing
R = Reel
Y = Tray

* standard



Type B

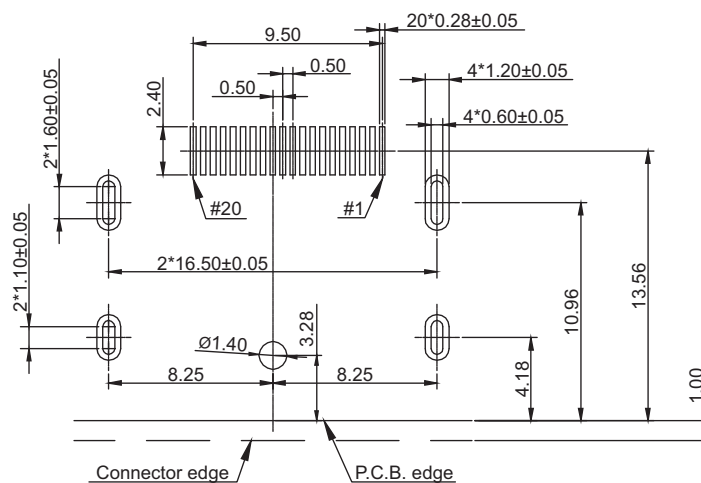
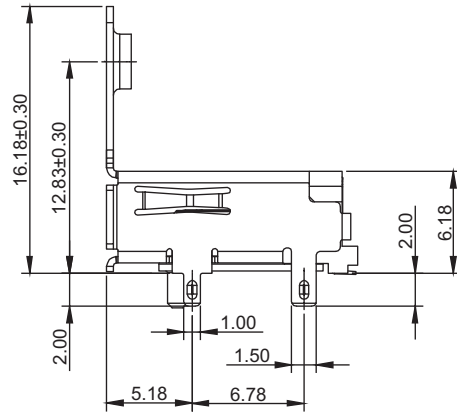
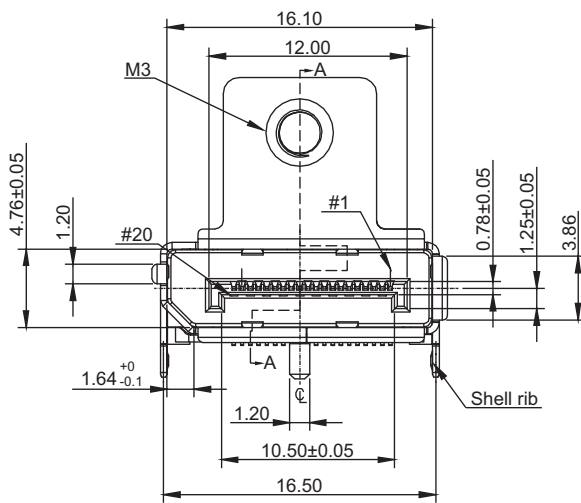
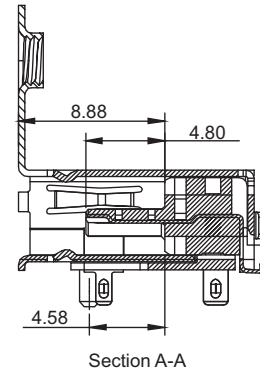
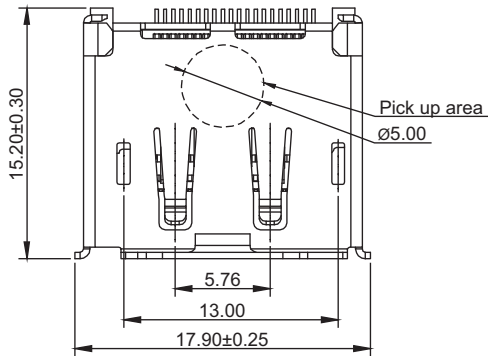


Tolerances	
Linear	X ± 0.38
	.XX ± 0.25
	.XXX ± 0.20

continued on page 3



Type C



Recommended P.C.B. layout (T=1.60)
tolerances: ±0.05

Tolerances	
Linear	X ± 0.38
	.XX ± 0.25
	.XXX ± 0.20

