

3028 Series

D-Sub Male Straight High Profile, Height: 11.8 mm

General specifications

Insulator material	PBT, UL94V-0, color: black
Contact material	Copper alloy, plating: gold over nickel
Shell material	SPCC, plating: tin
Current rating	3 A
Voltage rating	250 VAC
Contact resistance	25 mΩ max.
Insulator resistance	5000 MΩ min.
Dielectrical withstanding	1000 VAC for 1 min
Operating temperature	-55 °C to +85 °C
Soldering	JEDEC lead free wave soldering process

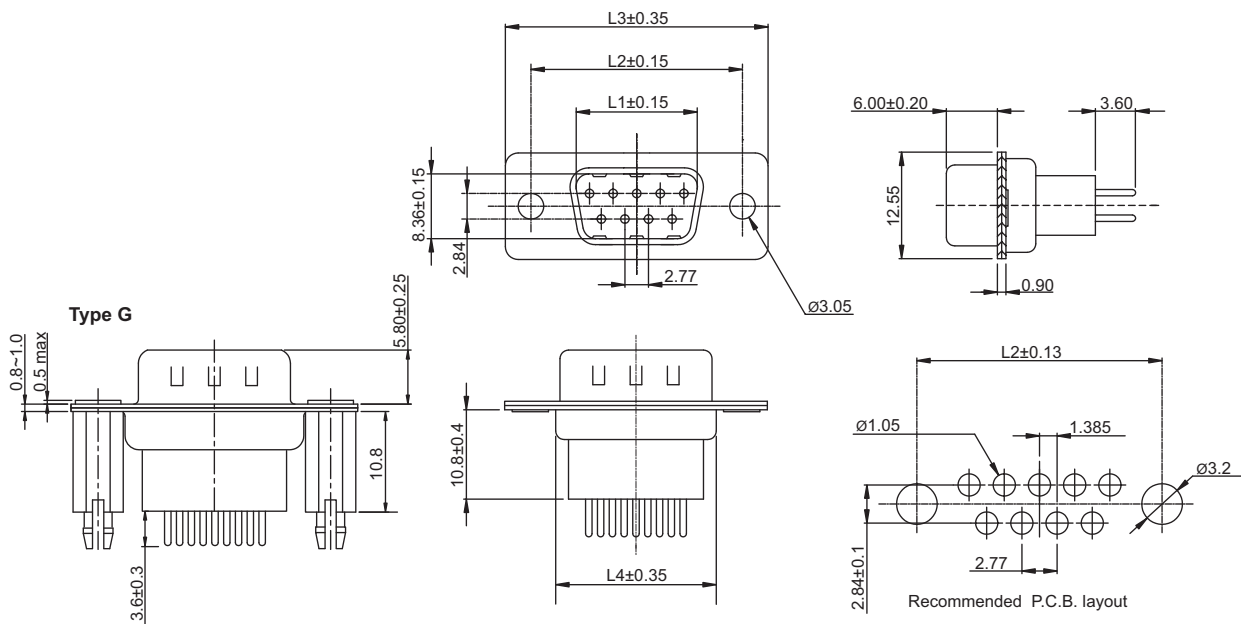
Mating parts series



RoHS
compliant

Mechanical dimensions

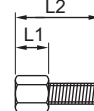
Unit: mm



Type 0 (w/o screws)	Type B (w/ rivited rear bolts)	Type E (w/ rivited front bolts)	Type G (w/ board-lock)	Type H (w/ board-lock and screw)

Ordercode for screws UNC4-40 only

Ordercode	L1	L2
3099U1	4.8	11.8
3099U9	5.8	12.0



Contacts	L1	L2	L3	L4
09	16.92	24.99	30.80	19.20
15	25.25	33.32	39.15	27.70
25	38.96	47.04	53.00	41.10
37	55.42	63.50	69.30	57.30

Tolerances	
Linear	X ± 0.25
	.XX ± 0.10

Part numbering guide

3028 M — **09** — **B** — **0**

Series
M = Male

No. of contacts
09, 15, 25, 37

Contact plating
B = Flashgold*
E = 10μ" gold
F = 15μ" gold
J = 30μ" gold

Mounting type
0 = w/o screws
B = w/ rivited rear bolts 4.0 mm
E = w/ rivited front bolts 5.8 mm
G = w/ board-lock

H = w/ board-lock and mounted screws

* standard

