

2460 Series

4.50 mm EL Male Contact Housing and Terminal

General specifications

Insulator material	Nylon 66, UL94V-0, color: nature
Contact material	Phosphor bronze, plating: tin
Current rating	10 A
Voltage rating	300 V AC/DC
Contact resistance	7 mΩ max.
Insulator resistance	1000 MΩ min.
Dielectrical withstanding	1500 VAC for 1 min
Operating temperature	-25 °C to +85 °C
Wire range	AWG 16 to 20

Mating parts series

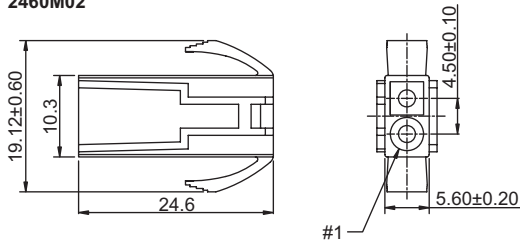
2460-P or cable assembly



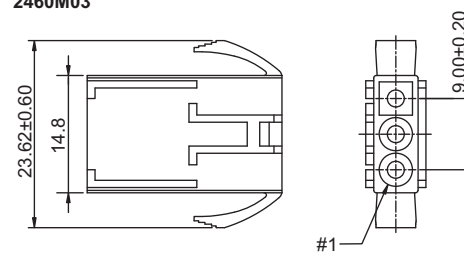
Mechanical dimensions

Unit: mm

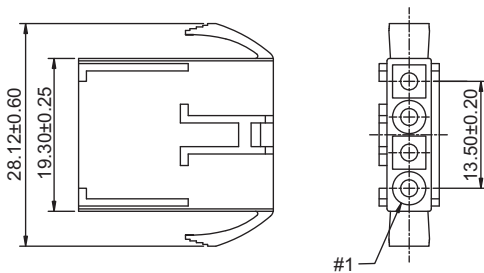
2460M02



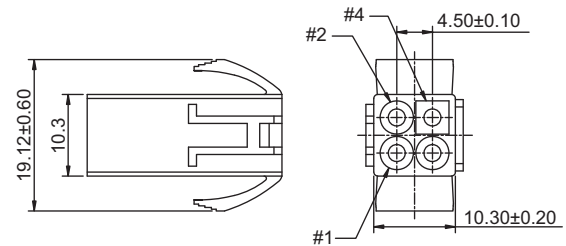
2460M03



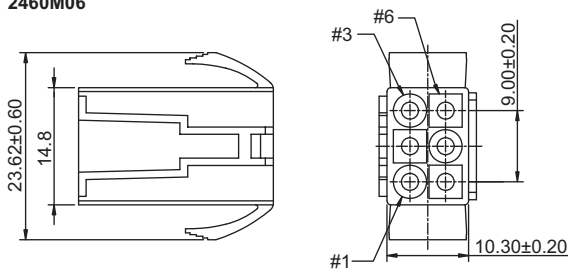
2460M04



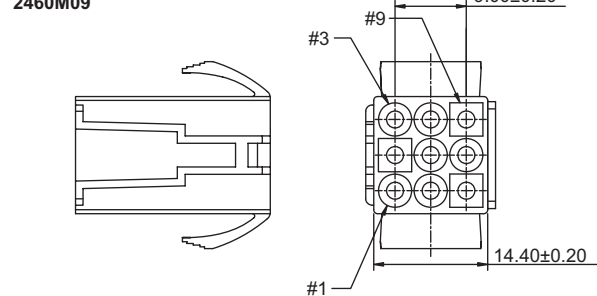
2460M22



2460M06



2460M09

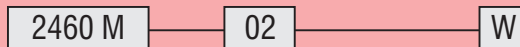


Tolerances

Linear	X	± 0.25
	XX	± 0.15
	XXX	± 0.05

continued on page 2

Part numbering guide



Series

M = Housing
Z = Terminal

No. of contacts

1 row = 02, 03, 04
2 row = 22 (04), 06
3 row = 12, 15

Mounting ears

W = w/ ears
O = w/o ears
leave blank for terminal

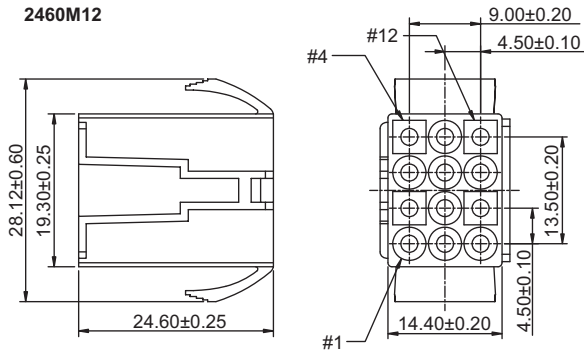
* standard



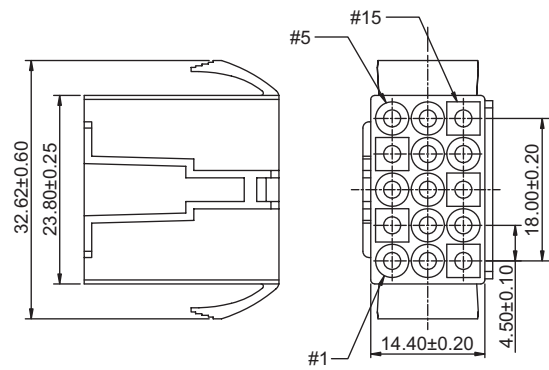
Mechanical dimensions

Unit: mm

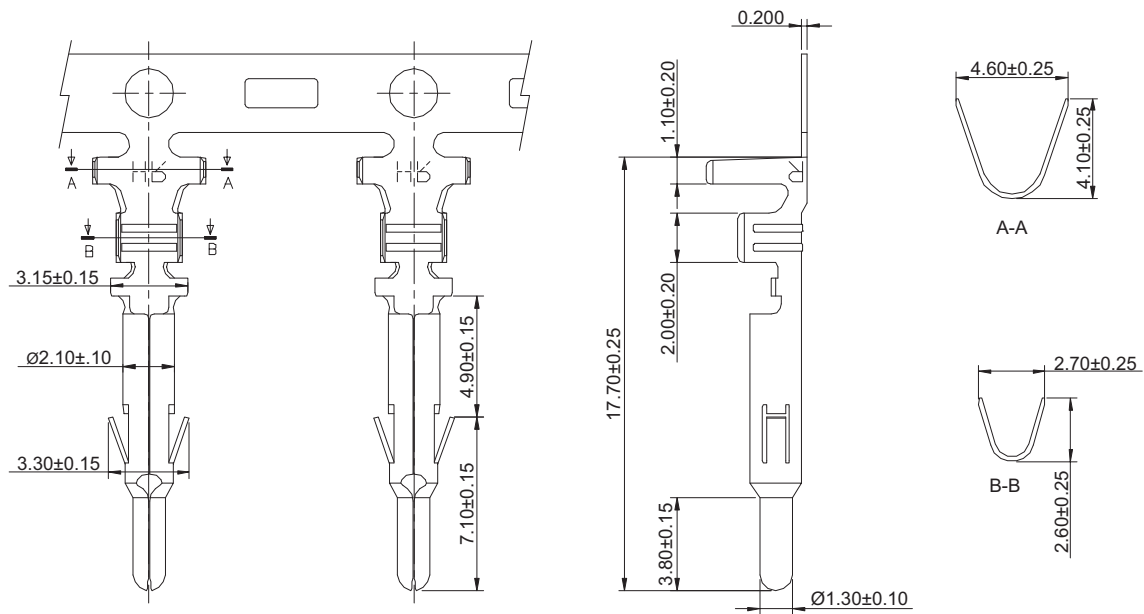
2460M12



2460M15



2460Z



Tolerances

Linear	X	± 0.25
	.XX	± 0.15
	.XXX	± 0.05

