

3840 Series

Mini USB Type A 4 Pin SMT Socket

General specifications

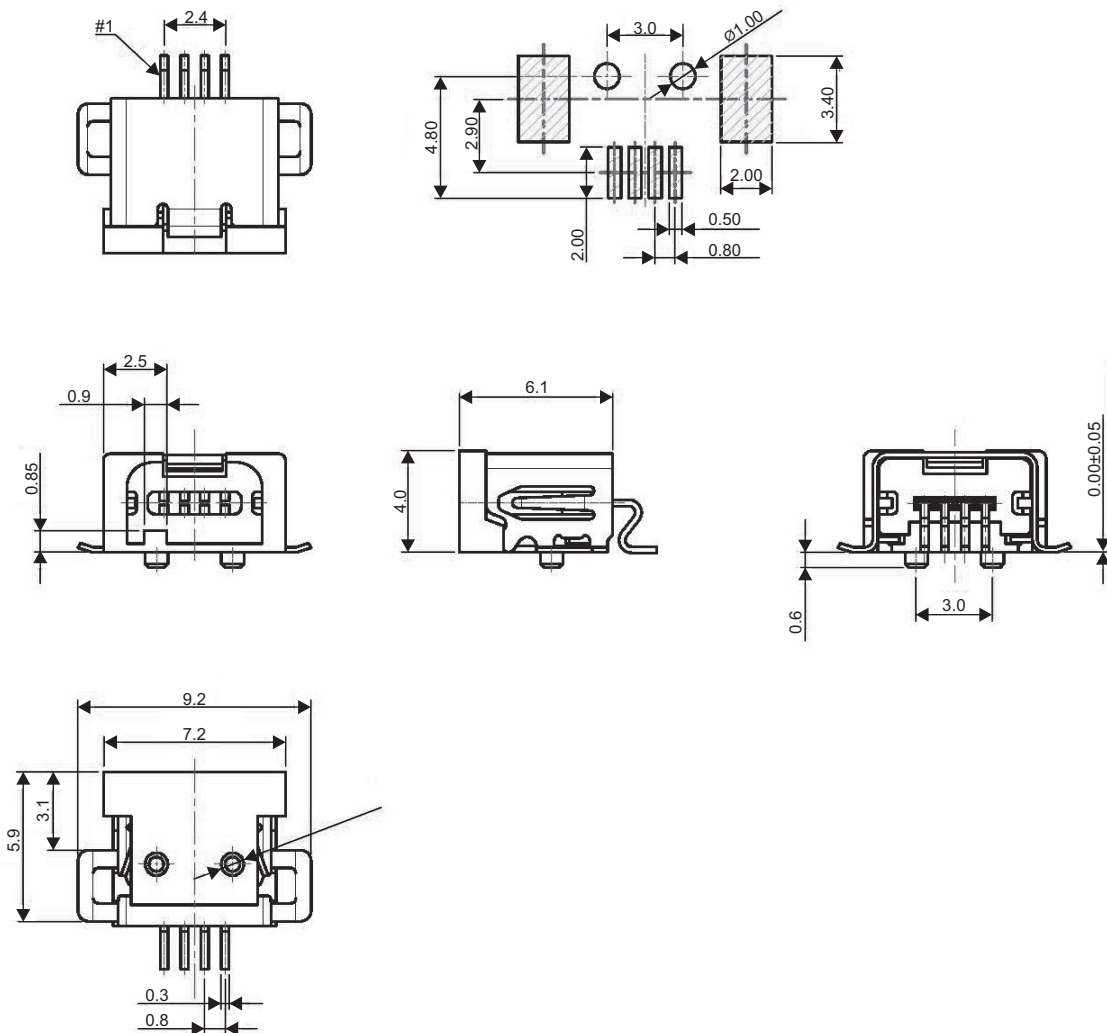
Insulator material	High temperature plastic, UL94V-0
Contact material	Phosphor bronze
Current rating	1 A
Voltage rating	30 V AC/DC
Contact resistance	50 mΩ max.
Insulator resistance	100 MΩ min.
Dielectrical withstanding	100 VAC for 1 min
Operating temperature	-55 °C to +85 °C
Soldering	JEDEC lead free reflow soldering process

Mating parts series



Mechanical dimensions

Unit: mm



Tolerances		
Linear	X	± 0.20
	.XX	± 0.10

Part numbering guide

3840 H	J	B	R
Series H = SMT horizontal	Contact plating E = 10 μ" gold J = 30 μ" gold	Color B = Black	Packing R = Reel

* standard

